

KARAM MEDIUM TABLE LAMP

VISUAL COMFORT & CO.

PRODUCT FEATURES

- From the brand formerly known as Tech Lighting
- Hand combed ceramic base
- Natural brass shade
- Includes integrated in-line dimmer with 6 feet black cloth cord
- This item is made of natural brass. It is a living finish that will patina and warm with age which adds richness. If it gets an uneven patina or spots, a brass cleaner can restore the finish



Cream



Black

Cream

LAMPING

Rated for (2) 40 watt max E26 medium base lamp. (2) 120v 10 watt, 1100 delivered lumens, 3000K, medium base LED A19 lamp. Built-in sliding dimmer. Includes 6 feet of black cloth cord.

ORDERING INFORMATION

700PRTKRM	LENGTH (A)	COLOR	FINISH	LAMP
	24.24"	B BLACK CR CREAM	NB NATURAL BRASS	-LED930 E26 MED BASE A19 90 CRI 3000K 120V

700PRTKRM _____

JOB NAME _____

NOTES _____



© 2019 Tech Lighting, L.L.C. All rights reserved. The "Tech Lighting" graphic is a registered trademark of Tech Lighting, L.L.C. Tech Lighting reserves the right to change specifications for product improvements without notification.

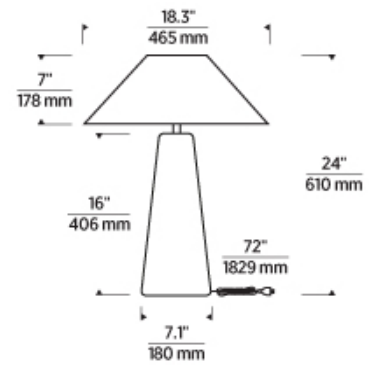
7400 Linder Avenue, Skokie, IL 60077
T 847.410.4400 | F 847.410.4500 | techlighting.com

KARAM MEDIUM TABLE LAMP

VISUAL COMFORT & Co.

SPECIFICATIONS

PRIMARY MATERIAL	Ceramic
SHADE MATERIAL	Brass
NET WEIGHT	
HEIGHT	24in
WIDTH	18.3in
LENGTH	18.3in
WET LISTED	
DAMP LISTED	
DRY LISTED	
GENERAL LISTING	ETL Listed
INCLUDES	



LAMPING SPECIFICATIONS

	LED LAMP	INTEGRATED LED	NON LED	NO LAMP
DELIVERED LUMENS	1100			
WATTS	10			
MAX WATTAGE PER BULB	40W			
	120V Integrated Sliding on/off dimmer			
CCT	3000K			
CRI	90 CRI			
LED LIFETIME				
L70	>25000			
AVERAGE BULB HOURS				
FIELD SERVICEABLE LED				
LAMP BASE	E26 Medium Base			
LAMP SHAPE	A19			
LAMP INCLUDED?	True			
WARRANTY**	1 Year			

* Dimming information available at www.techlighting.com/Downloads#dimming

** Visit techlighting.com for specific warranty limitations and details.

T20 / T24 / JA8 INFORMATION

	Integrated LED	Replacement LED Lamp	No Lamp *
This product can be used to comply with California Building Energy Efficiency Standards 2016 Title 24 Part 6 / JA8.		Yes	
This product can be used to comply with California Appliance Efficiency Standards 2016 Title 20 and may be shipped to and sold in California.		Yes	

* If a light fixture or component does not include a lamp or light source, it is the responsibility of the customer to select a lamp that meets the T24 and T20 requirements.

