

PRODUCT FEATURES

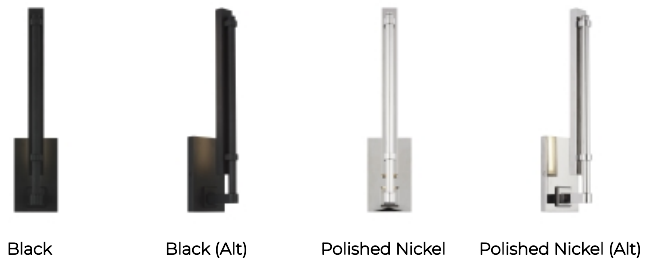
- From the brand formerly known as Tech Lighting
- Industrial details with defined mechanical connections and crystal diffuser
- Switch-box junction box ships with goof plate
- This item is made of natural brass. It is a living finish that will patina and warm with age which adds richness. If it gets an uneven patina or spots, a brass cleaner can restore the finish
- The LED Driver is housed within the junction box. (L. 3.03" | W. 1.22" | H. .83")
- Fully dimmable integrated LED lamp



Polished Nickel (Alt)

LAMPING

Includes 8.6 watt, 397 delivered lumens, 3000K LED module. 120V dimmable with most LED compatible ELV and TRIAC dimmers. 277V compatible with 0-10V dimmers. Mounts horizontally or vertically. Up or downlight.



Black

Black (Alt)

Polished Nickel

Polished Nickel (Alt)

To view all available finish options, please visit techlighting.com

ORDERING INFORMATION

700BCKAL	LENGTH (A)	FINISH	LAMP
	1313"	NB NATURAL BRASS	-LED930 INTEGRATED LED 90 CRI 3000K 120V
		B NIGHTSHADE BLACK	-LED930-277 INTEGRATED LED 90 CRI 3000K 277V
		N POLISHED NICKEL	

700BCKAL

JOB NAME

NOTES

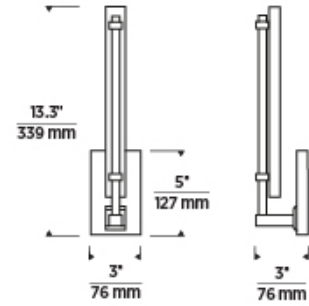


KAL SMALL SCONCE

VISUAL COMFORT & Co.

SPECIFICATIONS

PRIMARY MATERIAL	Aluminum or Brass
SHADE MATERIAL	Acrylic
NET WEIGHT	2.5 lbs
HEIGHT	13.3in
WIDTH	3in
LENGTH	3in
WET LISTED	
DAMP LISTED	
DRY LISTED	
GENERAL LISTING	ETL Listed
INCLUDES	



LAMPING SPECIFICATIONS

	LED LAMP	INTEGRATED LED	NON LED	NO LAMP
DELIVERED LUMENS		397		
WATTS		8.6		
MAX WATTAGE PER BULB		8.6W		
		120V ELV, TRIAC		
		277V 0-10V		
CCT		3000K		
CRI		90 CRI		
LED LIFETIME				
L70		>50000		
AVERAGE BULB HOURS				
FIELD SERVICEABLE LED				
LAMP BASE		Integrated LED		
LAMP SHAPE		Integrated LED		
LAMP INCLUDED?		True		
WARRANTY**		5 Years		

* Dimming information available at www.techlighting.com/Downloads#dimming

** Visit techlighting.com for specific warranty limitations and details.

T20 / T24 / JA8 INFORMATION

	Integrated LED	Replacement LED Lamp	No Lamp *
This product can be used to comply with California Building Energy Efficiency Standards 2016 Title 24 Part 6 / JA8.	Yes		
This product can be used to comply with California Appliance Efficiency Standards 2016 Title 20 and may be shipped to and sold in California.	N/A		

* If a light fixture or component does not include a lamp or light source, it is the responsibility of the customer to select a lamp that meets the T24 and T20 requirements.

