

# KAI 1 PENDANT

VISUAL COMFORT & CO.

## PRODUCT FEATURES

- From the brand formerly known as Tech Lighting
- The Kai Pendant is a modern take inspired by Japanese traditional lanterns
- Offered in modern finishes
- Designed to be installed individually or multiples for a dramatic statement.
- Includes 12 feet of field-cuttable black cloth cord
- The LED Driver is housed within the junction box. (L. 3.03" | W. 1.22" | H. .83")



Natural Brass

## LAMPING

Includes 12.5 watts, 638 delivered lumens, 3000K LED module. Dimmable with most LED compatible ELV and TRIAC dimmers. Ships with 12 feet of field-cuttable black cloth cord. 120V



Matte White



Nightshade Black



Natural Brass

## ORDERING INFORMATION

700	SYSTEM	KAI1	FINISH	LAMP
	TD LINE-VOLTAGE PENDANTS/SUSPENSION		W MATTE WHITE B NIGHTSHADE BLACK BR PLATED BRASS	-LED930 INTEGRATED LED 90 CRI 3000K 120V

700 \_\_\_\_\_ KAI1 \_\_\_\_\_

JOB NAME \_\_\_\_\_

NOTES \_\_\_\_\_

\_\_\_\_\_

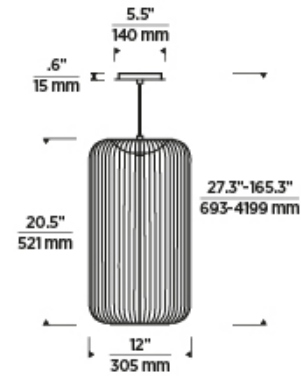


# KAI 1 PENDANT

VISUAL COMFORT & CO.

## SPECIFICATIONS

PRIMARY MATERIAL	Aluminum
SHADE MATERIAL	Aluminum
NET WEIGHT	10 lbs
HEIGHT	20.5in
WIDTH	12in
LENGTH	12in
UP LIGHT / DOWN LIGHT / BOTH?	
WET LISTED	
DAMP LISTED	
DRY LISTED	
MIN. HANGING HEIGHT	27.3in
MAX HANGING HEIGHT	165.3in
TOTAL CORD LENGTH	144in
TOTAL STEM LENGTH	
STEM QTY	
SLOPED CEILING ADAPTABLE?	Yes 45° Max
GENERAL LISTING	ETL Listed
INCLUDES	



## LAMPING SPECIFICATIONS

	LED LAMP	INTEGRATED LED	NON LED	NO LAMP
DELIVERED LUMENS		638		
WATTS		12.5		
MAX WATTAGE PER BULB		12.5W		
		120V ELV, TRIAC		
CCT		3000K		
CRI		90 CRI		
LED LIFETIME		>50000		
L70				
AVERAGE BULB HOURS				
FIELD SERVICEABLE LED				
LAMP BASE		Integrated LED		
LAMP SHAPE		Integrated LED		
LAMP INCLUDED?		True		
WARRANTY**		5 Years		

\* Dimming information available at [www.techlighting.com/Downloads#dimming](http://www.techlighting.com/Downloads#dimming)

\*\* Visit [techlighting.com](http://techlighting.com) for specific warranty limitations and details.

## T20 / T24 / JA8 INFORMATION

	Integrated LED	Replacement LED Lamp	No Lamp *
This product can be used to comply with California Building Energy Efficiency Standards 2016 Title 24 Part 6 / JA8.	Yes		
This product can be used to comply with California Appliance Efficiency Standards 2016 Title 20 and may be shipped to and sold in California.	N/A		

\* If a light fixture or component does not include a lamp or light source, it is the responsibility of the customer to select a lamp that meets the T24 and T20 requirements.

