

# TEAR SHEET



## Fresno Medium Bracketed Gas Wall Lantern

Item # CHO 2560BLK-CG

Designer: Chapman & Myers

Height: 18.75"

Width: 6"

Extension: 9.25"

Backplate: 4.25" x 6" Rectangle

Finishes: BLK, SC

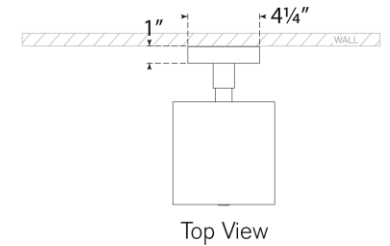
Glass Options: CG

Lightsource: Gas Burner

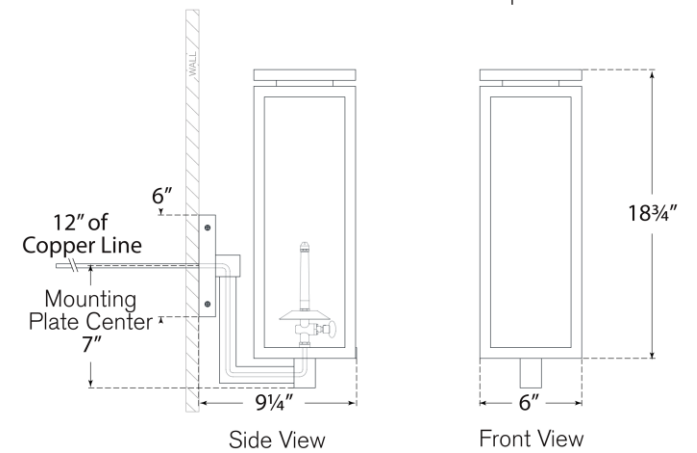
Wattage: 900 - 1100 BTU

Weight: 8 Pounds

Note: Powder-Coated Aluminum | Brass Details and Iron Hardware | Natural Gas Only | Professional Installation Only | Limited Lifetime Warranty | Brass Will Patina



Top View



Side View

Front View