

## PRODUCT FEATURES

- From the brand formerly known as Tech Lighting
- The BAU Picture Light is the American Modern version of the traditional picture light, featuring clean straight lines and integrated LED
- Head can pivot 90° up or down.
- Complete the look with the entire collection, including Pendants, Bath Lights, and Linear Suspension.
- The LED Driver is housed within the junction box for this product
- This item is made of natural brass. It is a living finish that will patina and warm with age which adds richness. If it gets an uneven patina or spots, a brass cleaner can restore the finish.



## LAMPING

Includes 25.9 watt, 1009 delivered lumens 90 CRI 3000K LED module. Dimmable with most LED compatible ELV, TRIAC and 0-10V dimmers. 120V-277V. Downlight only.

Natural Brass



Natural Brass

Nightshade Black

Polished Nickel

Natural Brass Alt View

To view all available finish options, please visit [techlighting.com](http://techlighting.com)

## ORDERING INFORMATION

SLPCT19	COLOR TEMP	FINISH
	303000K	NB NATURAL BRASS B NIGHTSHADE BLACK N POLISHED NICKEL

SLPCT19 \_\_\_\_\_

JOB NAME \_\_\_\_\_

NOTES \_\_\_\_\_

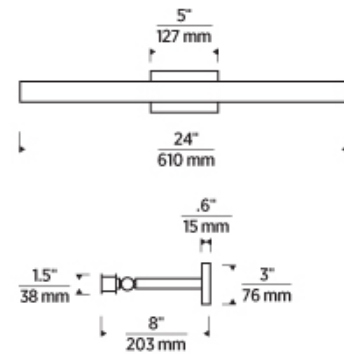


# BAU 24 PICTURE LIGHT

VISUAL COMFORT & Co.

## SPECIFICATIONS

PRIMARY MATERIAL	Steel Or Brass
SHADE MATERIAL	Acrylic
NET WEIGHT	3.5 lbs
HEIGHT	3in
WIDTH	8in
LENGTH	24in
MIN. EXTENSION FROM WALL	8in
UP LIGHT / DOWN LIGHT / BOTH?	
WET LISTED	
DAMP LISTED	
DRY LISTED	
UP / DOWN	
HORIZONTAL / VERTICAL	
WALL / CEILING MOUNT	
GENERAL LISTING	ETL Listed
ADA COMPLIANT	
INCLUDES	



## LAMPING SPECIFICATIONS

	LED LAMP	INTEGRATED LED	NON LED	NO LAMP
DELIVERED LUMENS		1009		
WATTS		25.9		
MAX WATTAGE PER BULB		25.9W		
		Universal 120V-277V 0-10, ELV, TRIAC		
CCT		3000K		
CRI		90 CRI		
LED LIFETIME				
L70		>50000		
AVERAGE BULB HOURS				
FIELD SERVICEABLE LED				
LAMP BASE		Integrated LED		
LAMP SHAPE		Integrated LED		
LAMP INCLUDED?		True		
WARRANTY**		5 Years		

\* Dimming information available at [www.techlighting.com/Downloads#dimming](http://www.techlighting.com/Downloads#dimming)

\*\* Visit [techlighting.com](http://techlighting.com) for specific warranty limitations and details.

## T20 / T24 / JA8 INFORMATION

	Integrated LED	Replacement LED Lamp	No Lamp *
This product can be used to comply with California Building Energy Efficiency Standards 2016 Title 24 Part 6 / JA8.	Yes		
This product can be used to comply with California Appliance Efficiency Standards 2016 Title 20 and may be shipped to and sold in California.			

\* If a light fixture or component does not include a lamp or light source, it is the responsibility of the customer to select a lamp that meets the T24 and T20 requirements.

