

# Freeport Flush Mount

CO1172, CO1182 1.0

## VISUAL COMFORT & Co.

STUDIO COLLECTION

### GENERAL PRODUCT INFORMATION:

These fixtures are intended to be installed utilizing NEC compliant junction boxes.

This product is safety listed for damp locations.

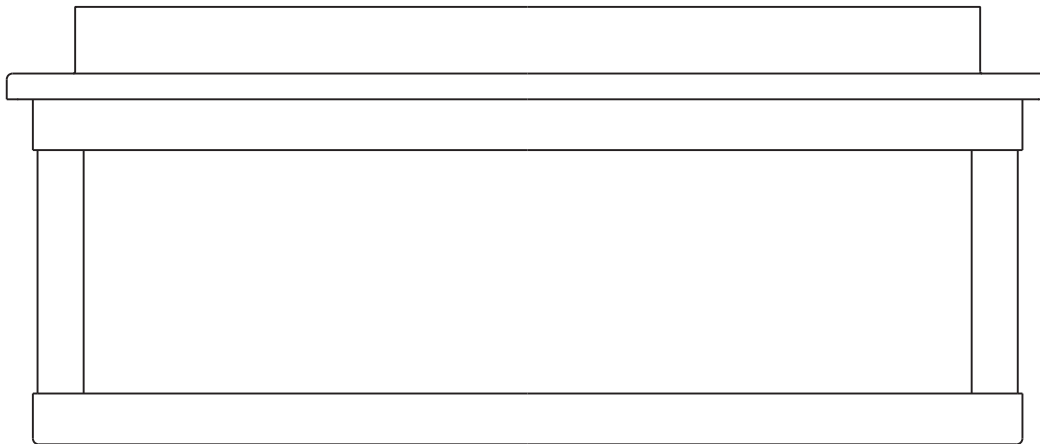
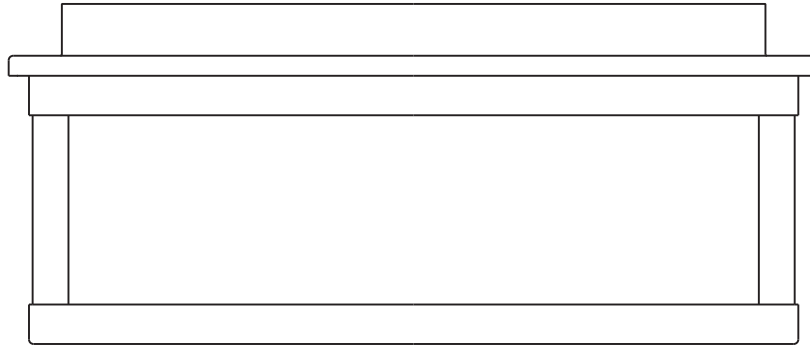
Incandescent lamps may be dimmed with a standard incandescent dimmer. LED lamps may be dimmed with a LED dimmer. Consult lamp manufacturer for additional information.

This instruction shows a typical installation.

### CAUTION - RISK OF FIRE

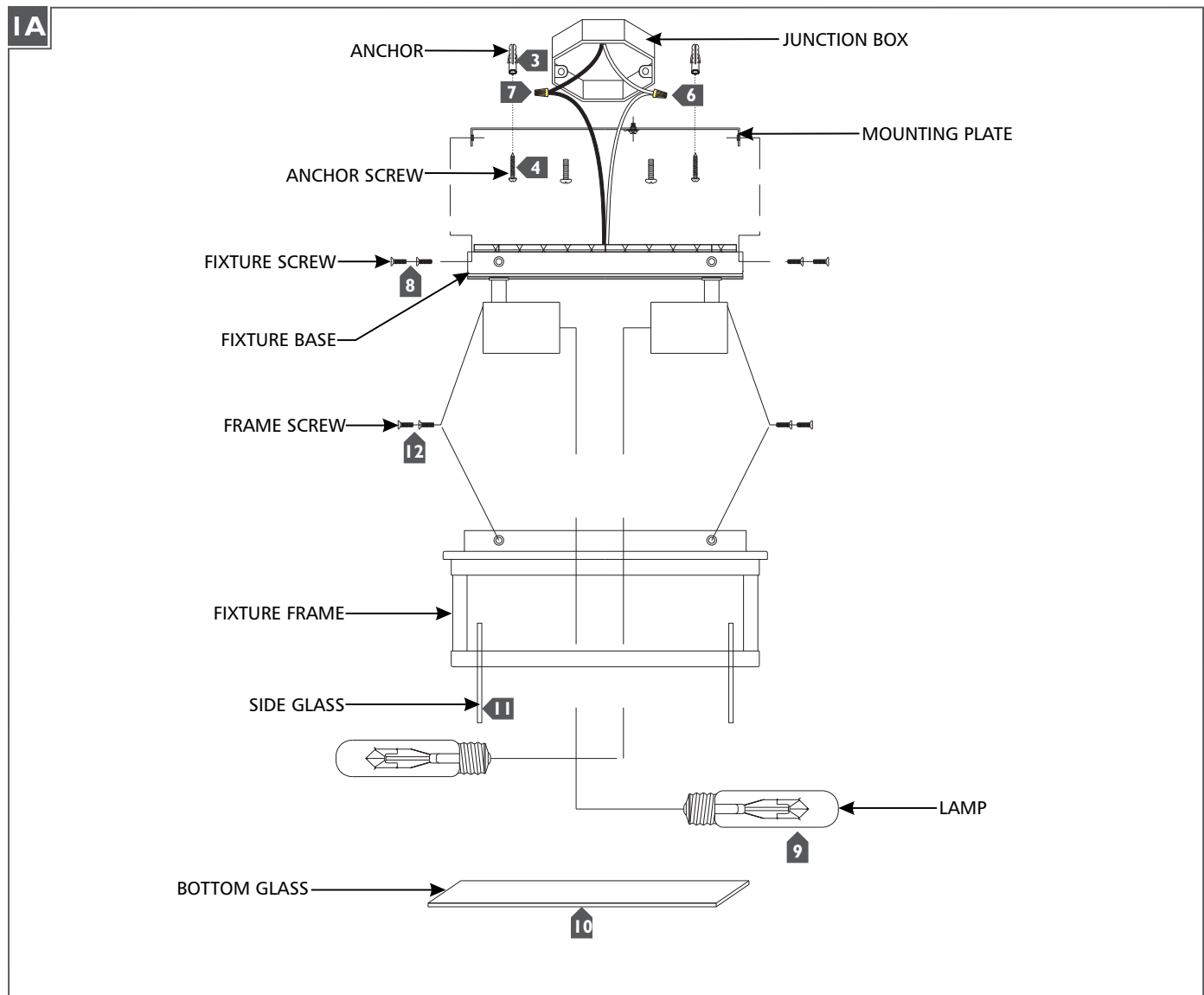
This product must be installed in accordance with the applicable installation code by a person familiar with the construction and operation of the product and the hazards involved.

Use minimum 90°C supply conductors.



**SAVE THESE INSTRUCTIONS!**

# Install the Fixture



- 1** Temporarily install the mounting plate to the junction box.
- 2** Mark the anchor locations through the holes on the mounting plate. Remove the mounting plate.
- 3** Drill appropriate sized holes and install the anchors at the marked locations.
- 4** Secure the mounting plate to the junction box and screw the anchor screws into the anchors.
- 5** Connect the fixture to a suitable ground in accordance with local electrical codes.
- 6** Connect the white fixture wire to the neutral power line wire with a wire nut.
- 7** Connect the black fixture wire to the hot power line wire with a wire nut.
- 8** Neatly tuck the wiring into the junction box, place the fixture base onto the mounting plate, and secure it in place using the fixture screws.
- 9** Screw the lamps into the sockets. Refer to the label on the socket for Max Wattage Information.
- 10** Install the bottom glass by carefully inserting it into the fixture frame and bending the tabs to secure in place.
- 11** Install the side glass by carefully inserting them into the fixture frame and bending the tabs to secure in place.
- 12** Install the fixture frame to the fixture base using the frame screws.