

Kenway Wall

700WSKNW | 1.1



GENERAL PRODUCT INFORMATION:

These fixtures are intended to be installed utilizing NEC compliant junction boxes.



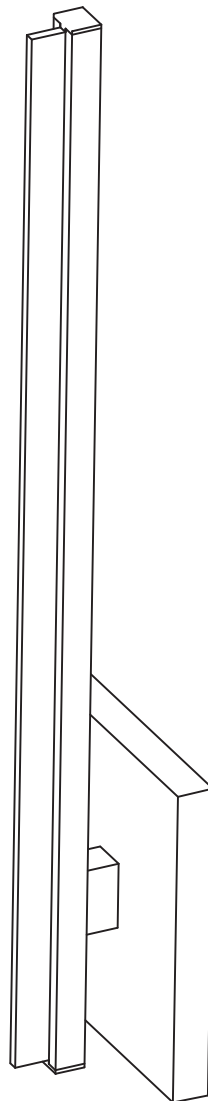
This product is suitable for damp locations.

This product can be dimmed with most ELV or TRIAC dimmers.

This instruction shows a typical installation.

CAUTION - RISK OF FIRE
This product must be installed in accordance with the applicable installation code by a person familiar with the construction and operation of the product and the hazards involved.
Use minimum 90°C supply conductors.

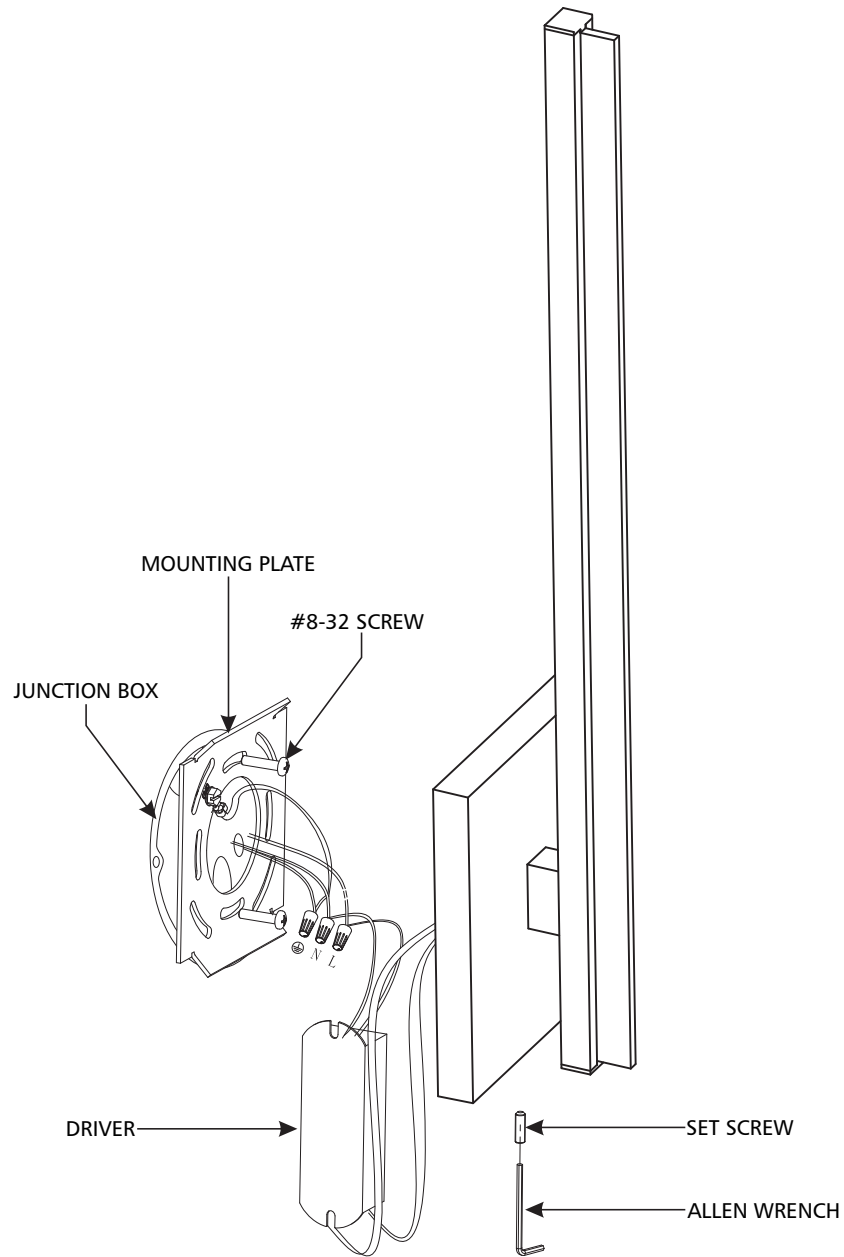
SAVE THESE INSTRUCTIONS!



7400 Linder Ave., Skokie, IL 60077
T 847.410.4400 | F 847.410.4500
www.techlighting.com

Install the Fixture

1A



- 1 With the provided Allen wrench, remove the set screw on the bottom of the fixture base.
- 2 Remove the mounting plate from the fixture base
- 3 Install the mounting plate to the junction box with the two #8-32 screws provided.
- 4 Connect the black driver wire to the black fixture wire with a wire nut.
- 5 Connect the red driver wire to the red fixture wire with a wire nut.
- 6 Connect the fixture to a suitable ground in accordance with local electrical codes.
- 7 Connect the white driver wire to the neutral power line with a wire nut.
- 8 Connect the black driver wire to the hot power line with a wire nut.
- 9 **For 277V Only:** If using 0-10V dimming, connect the purple and pink/gray wires to a compatible dimmer. If not using 0-10V dimming, cap off the purple and gray wires.
- 10 Properly place the driver, all wires, and wire nut connections into the junction box, mount the fixture base onto the mounting plate, and secure it in place by reinstalling the set screw using the provided Allen wrench.