

Loft Pendant

700TDLOF_ 1.0



SUSPENSION

GENERAL PRODUCT INFORMATION:

This product is suitable for damp locations.

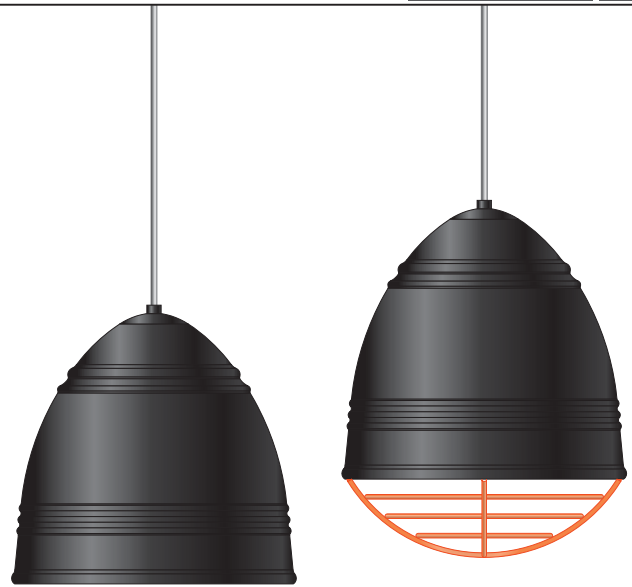


This product can be dimmed with a standard incandescent dimmer.

CAUTION - RISK OF FIRE

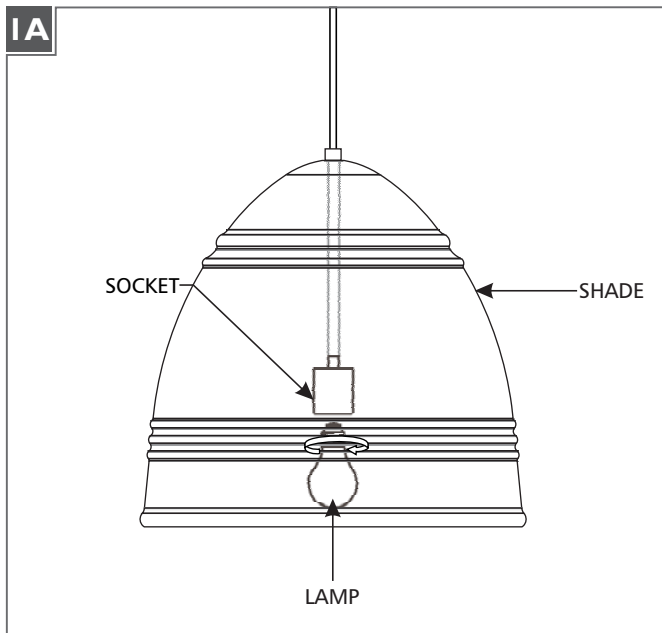
This product must be installed in accordance with the applicable installation code by a person familiar with the construction and operation of the product and the hazards involved.

Use minimum 90°C supply conductors.



Install the Lamp

CAUTION: To reduce the risk of a burn or electric shock during relamping, disconnect the power to the fixture.

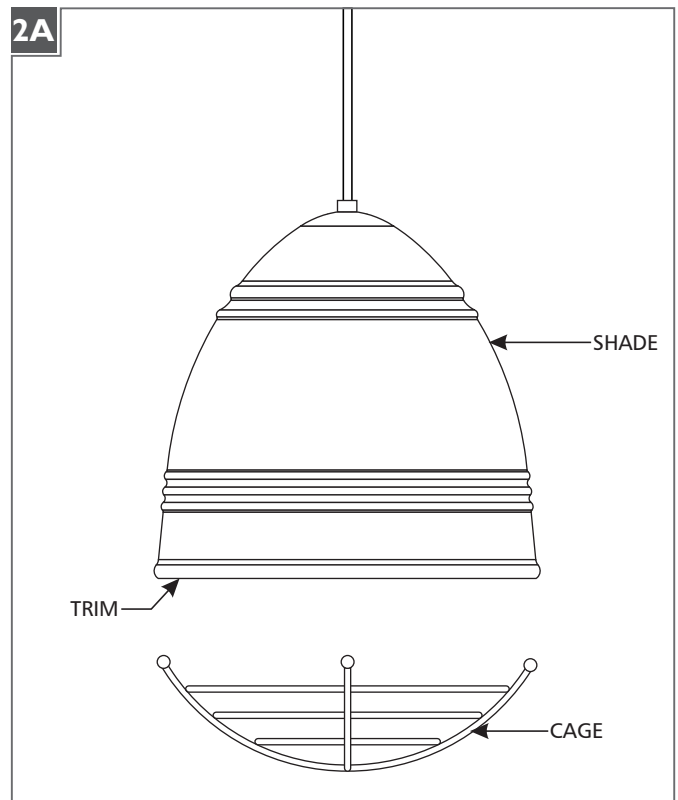


Use **MAX** 120 volt **75 Watt**
Type A19 Medium Base Lamp.



- 1 Reach inside the shade and screw the lamps into the sockets.

Install the Cage (for caged versions only)



- 1 If necessary, install the cage by inserting three balls inside the trim of the shade, then apply force to the remaining ball to snap it into place.
- 2 For re-lamping, reverse sections 2 and 1.

SAVE THESE INSTRUCTIONS!



TECH LIGHTING®

7400 Linder Ave, Skokie, IL 60077

847.410.4400

www.techlighting.com

© 2018 Tech Lighting, L.L.C. All rights reserved. The "Tech Lighting" graphic is a registered trademark of Tech Lighting, L.L.C. Tech Lighting reserves the right to change specifications for product improvements without notification.

A Generation Brands Company