

Wend and Krysen Step Light

7000SWEND92730_, 7000SKYSN92730_

1.0

VISUAL COMFORT & Co.

MODERN COLLECTION

GENERAL PRODUCT INFORMATION:

This product is suitable for wet locations.

These fixtures are intended to be installed utilizing NEC compliant junction boxes.

This product can be dimmed with most MLV dimmers (12v only).

120v version is not dimmable.

This instruction shows a typical installation.



CAUTION - RISK OF FIRE

This product must be installed in accordance with the applicable installation code by a person familiar with the construction and operation of the product and the hazards involved.

Use minimum 90°C supply conductors.

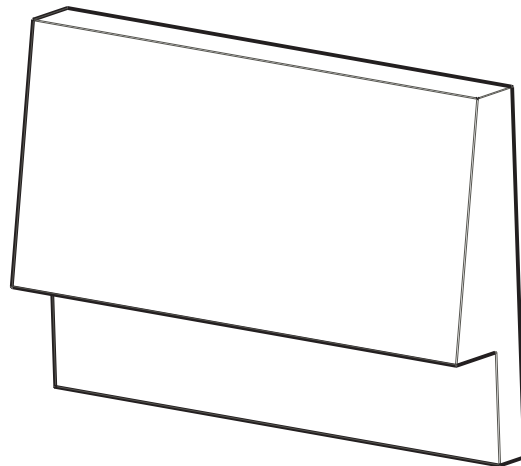
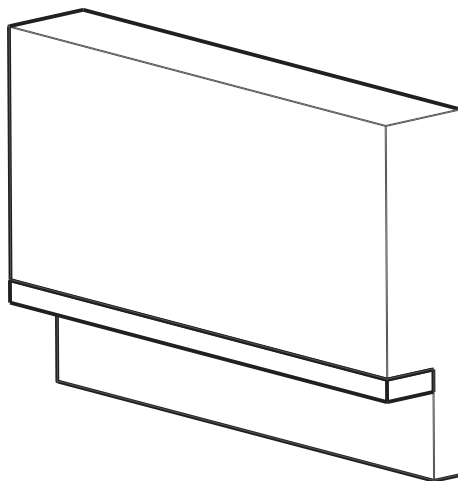
VISUAL COMFORT & Co.

7400 Linder Ave, Skokie, IL 16077

800.969.3347

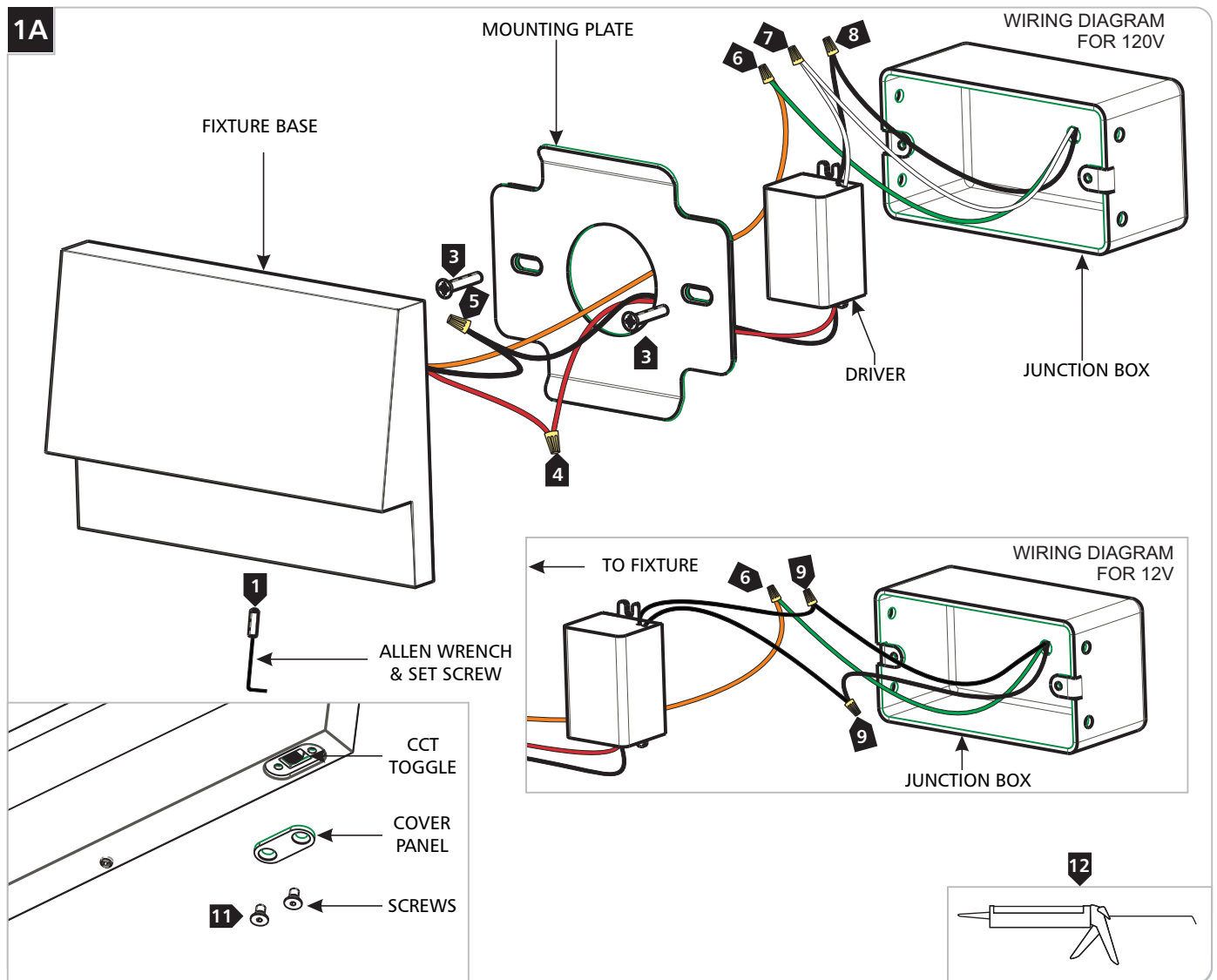
www.visualcomfort.com

©2023 Visual Comfort & Co.. All rights reserved. The Visual Comfort & Co. logo is a registered trademark of Visual Comfort & Co. Visual Comfort & Co. reserves the right to change specifications for product improvements without notification



SAVE THESE INSTRUCTIONS!

Install the Fixture



- 1 With the provided Allen wrench, loosen the set screw from the bottom of the fixture base.
- 2 Remove the mounting plate from the fixture base.
- 3 Install the mounting plate to the junction box with the two screws provided and ensure the mounting plate is level. *(Use #8-32 screws for standard 4" octagonal J-box. Use #6-32 screws for 2x4 J-box.)*
- 4 Connect the red driver output wire to the red fixture wire.
- 5 Connect the black driver output wire to the black fixture wire.
- 6 Connect the fixture to a suitable ground in accordance with local electrical codes.
- 7 **For 120v fixtures only:** Connect the white wire to the neutral power line with a wire nut.
- 8 **For 120v fixtures only:** Connect the black wire to the hot power line with a wire nut.
- 9 **For 12v fixtures only:** Connect the black driver wires to the black junction box wires (from the remote transformer) with wire nuts.
- 10 Properly place all wires, driver and wire nut connections into the junction box, mount the fixture base onto the mounting plate, and secure it in place by tightening the set screw using the provided Allen wrench.
- 11 *(Optional):* To adjust the CCT, access the CCT toggle on the bottom of the fixture by removing the two screws with the provided screw driver. Then select the desired color temperature. Then reinstall the cover panel and secure with the two screws. It is recommended to do this before applying sealant.
- 12 For wet locations, caulk around the base of the fixture with waterproof construction sealant.