

Lifo Ceiling

700FMLFO

1.0

VISUAL COMFORT & Co.

MODERN COLLECTION

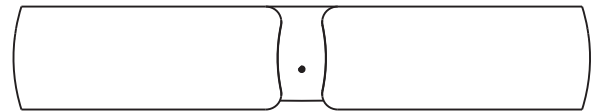
GENERAL PRODUCT INFORMATION:

These fixtures are intended to be installed utilizing NEC compliant junction boxes.

This product is suitable for damp locations.

This product may be dimmed with a low-voltage electronic dimmer.

This instruction shows a typical installation.

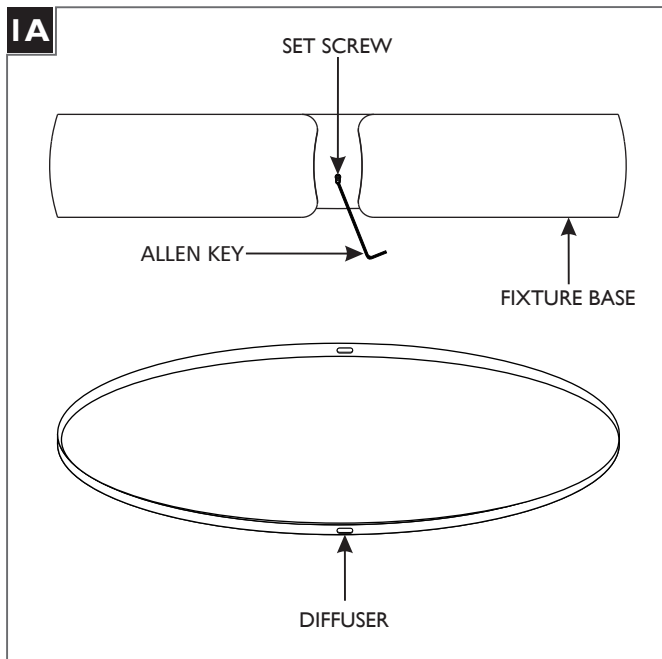


CAUTION - RISK OF FIRE

This product must be installed in accordance with the applicable installation code by a person familiar with the construction and operation of the product and the hazards involved.

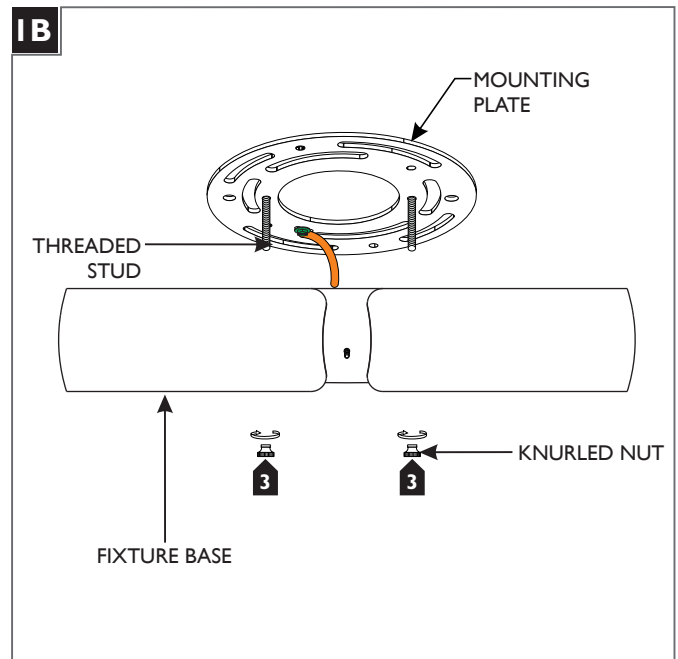
Use minimum 90°C supply conductors.

Install the Mounting Plate



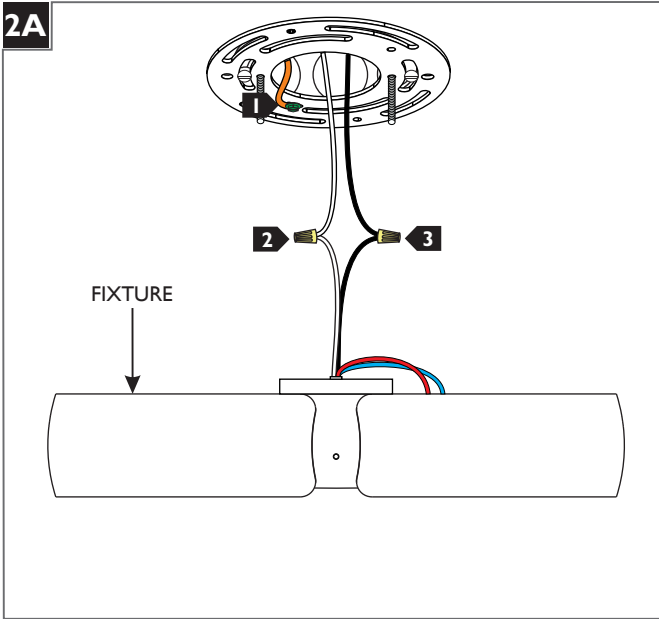
1 Loosen (do not remove) one of the set screws on the fixture base using the provided Allen key.

2 Remove the diffuser.

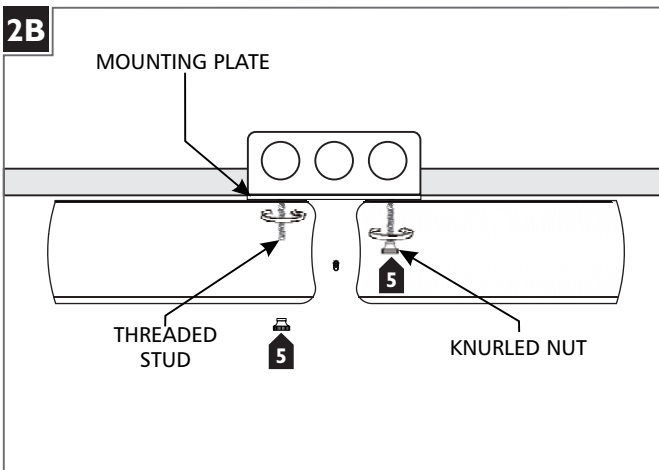


3 Remove the mounting plate from the fixture base by unscrewing the two knurled nuts from the two threaded studs.

Install the Fixture

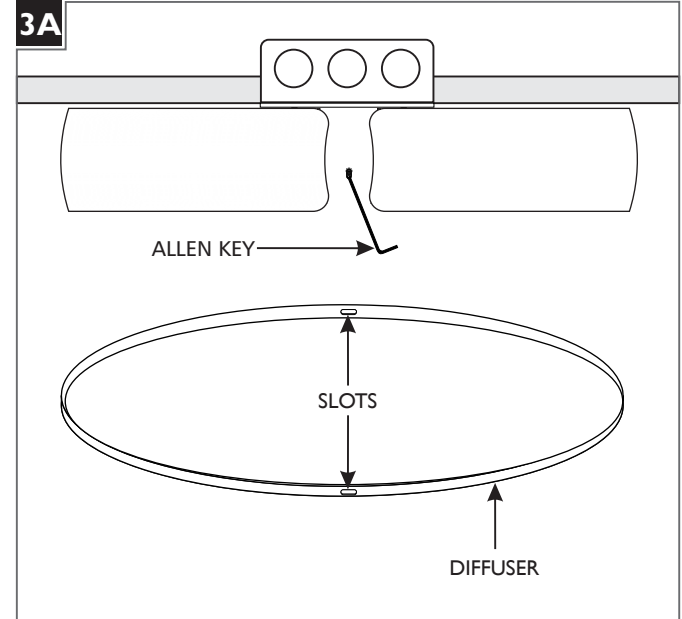


- 1 Connect the mounting plate ground wire to a suitable ground in accordance with local electrical codes.
- 2 Connect the white driver wire to the neutral power line wire with a wire nut.
- 3 Connect the black driver wire to the hot power line wire with a wire nut.



- 4 Properly place the driver, all wires, and wire nut connections into the electrical box.
- 5 Mount the fixture base onto the threaded studs on the mounting plate and secure it by tightening the two knurled nuts.

Install the Diffuser



- 1 Install the diffuser by placing a diffuser slot onto the unloosened set screw, then align the other slot with the loosened set screw, and re-tighten the set screw using the provided Allen key.

SAVE THESE INSTRUCTIONS!

VISUAL COMFORT & CO.

7400 Linder Ave, Skokie, IL 160077

800.969.3347

www.visualcomfort.com

©2023 Visual Comfort & Co.. All rights reserved. The Visual Comfort & Co. logo is a registered trademark of Visual Comfort & Co. Visual Comfort & Co. reserves the right to change specifications for product improvements without notification