

PRODUCT FEATURES

- High-tech display head that combines simplicity with practical technology
- Precise light beam that directs light where you want it
- This item is made of natural brass. It is a living finish that will patina and warm with age which adds richness. If it gets an uneven patina or spots, a brass cleaner can restore the finish
- Compatible with the Monorail and Monopoint systems by Tech Lighting
- Lamping options are compatible with most dimmers
- Protected by a 5-year warranty. Please visit the "About Us" Page on techlighting.com for more for warranty details



LAMPING

Includes 12 volt 7 watt, 750 total delivered lumens, 3000K, LED module. Dimmable with Low-Voltage electronic or magnetic dimmer (based on transformer). Provided with 20°, 40° and 60° beams spread lenses. The inrush current is reduced so that the Tellium LED head can be loaded to a standard 70% of the transformer's maximum rated wattage. Additionally, the dimming performance will be more stable and have a lower minimum dim level than the existing integrated LED heads. 360° head rotation and 90° pivot



ORDERING INFORMATION

700	SYSTEM	TLML	LENGTH (A)	FINISH	LAMP
	FJ FREEJACK	3	3"	R AGED BRASS	-LED930 INTEGRATED LED 90 CRI 3000K 120V (T24)
	MP MONOPOINT	6	6"	Z ANTIQUE BRONZE	
	MO MONORAIL	12	12"	S SATIN NICKEL	
				W WHITE	

Note. MP includes 4" Round Flush Canopy. Aged Brass is not available for Two-Circuit Monorail. For custom stem lengths, please contact the Quotes Department.

700 _____ TLML _____

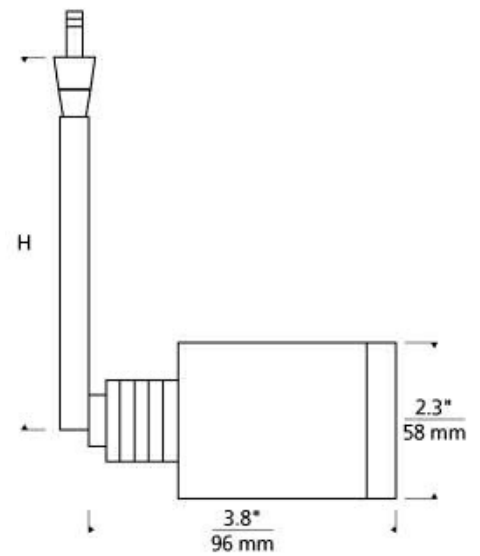
JOB NAME _____

NOTES _____

TELLIUM LED HEAD

SPECIFICATIONS

PRIMARY MATERIAL	Aluminum
SHADE MATERIAL	Aluminum
NET WEIGHT	1 lbs
HEIGHT	2.3in
WIDTH	3.8in
LENGTH	2.3in
BEAM SPREAD	
UP LIGHT / DOWN LIGHT / BOTH?	
WET LISTED	
DAMP LISTED	
DRY LISTED	Yes
MIN. HANGING HEIGHT	12in
MAX HANGING HEIGHT	12in
TOTAL CORD LENGTH	
SLOPED CEILING ADAPTABLE?	N/A
GENERAL LISTING	ETL Listed
INCLUDES	



LAMPING SPECIFICATIONS

	LED LAMP	INTEGRATED LED	NON LED	NO LAMP
DELIVERED LUMENS		750		
WATTS		7		
MAX WATTAGE PER BULB		7W		
INPUT VOLTAGE/ DIMMING TYPE		12V ELV, MLV 120V ELV, MLV		
CCT		3000K		
CRI		90 CRI		
LED LIFETIME				
L70		>50000		
AVERAGE BULB HOURS				
FIELD SERVICEABLE LED				
LAMP BASE		Integrated LED		
LAMP SHAPE		Integrated LED		
LAMP INCLUDED?		True		
WARRANTY**		5 Years		

* Dimming information available at www.techlighting.com/Downloads#dimming
 ** Visit techlighting.com for specific warranty limitations and details.

T20 / T24 / JA8 INFORMATION

	Integrated LED	Replacement LED Lamp	No Lamp *
This product can be used to comply with California Building Energy Efficiency Standards 2016 Title 24 Part 6 / JA8.	Yes		
This product can be used to comply with California Appliance Efficiency Standards 2016 Title 20 and may be shipped to and sold in California.	N/A		

* If a light fixture or component does not include a lamp or light source, it is the responsibility of the customer to select a lamp that meets the T24 and T20 requirements.

