

PRODUCT FEATURES



LAMPING

It can power lamps totaling up to 300 watts. The transformer is concealed inside a decorative housing with a fast acting secondary circuit breaker that will safely turn the system off should a short occur. Once the short has been removed the breaker can be reset.

MonoRail Surface Transformer-300W Mag



MonoRail Surface Transformer-300W Mag

ORDERING INFORMATION

700MOSRT30D FINISH

- Z ANTIQUE BRONZE
- S SATIN NICKEL

As a general rule when using LED fixtures we do not recommend using greater than 70% of specified maximum wattage on the transformer due to inrush current. For assistance, please contact our technical support department.

700MOSRT30D _____

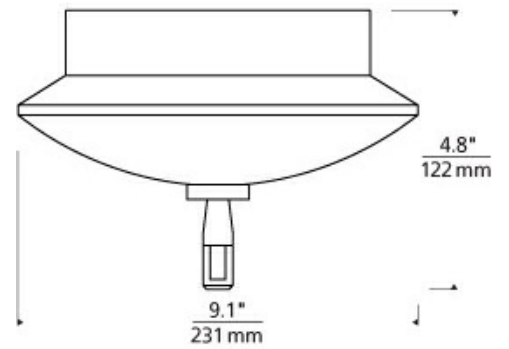
JOB NAME _____

NOTES _____



SPECIFICATIONS

PRIMARY MATERIAL	
SHADE MATERIAL	
NET WEIGHT	12.15 lbs
HEIGHT	4.8in
WIDTH	9.1in
LENGTH	
WET LISTED	
DAMP LISTED	
DRY LISTED	
GENERAL LISTING	ETL Listed
INCLUDES	



LAMPING SPECIFICATIONS

	LED LAMP	INTEGRATED LED	NON LED	NO LAMP
DELIVERED LUMENS				
WATTS				
MAX WATTAGE PER BULB				
INPUT VOLTAGE/ DIMMING TYPE				
CCT				
CRI				
LED LIFETIME				
L70				
AVERAGE BULB HOURS				
FIELD SERVICEABLE LED				
LAMP BASE				
LAMP SHAPE				
LAMP INCLUDED?				
WARRANTY**				

* Dimming information available at www.techlighting.com/Downloads#dimming
 ** Visit techlighting.com for specific warranty limitations and details.

T20 / T24 / JA8 INFORMATION

	Integrated LED	Replacement LED Lamp	No Lamp *
This product can be used to comply with California Building Energy Efficiency Standards 2016 Title 24 Part 6 / JA8.			N/A
This product can be used to comply with California Appliance Efficiency Standards 2016 Title 20 and may be shipped to and sold in California.			N/A

* If a light fixture or component does not include a lamp or light source, it is the responsibility of the customer to select a lamp that meets the T24 and T20 requirements.

