

PRODUCT FEATURES



MonoRail Center Power Feed Single-Feed

LAMPING

The center power feed can be used anywhere within the run and includes a removable 4" round canopy and 12' of field-cutttable softwire leads. Specify dual-feed when using a dual-feed transformer. Dual-feed canopy includes isolating connectors.



MonoRail Center Power Feed Single-Feed

ORDERING INFORMATION

700MOPCEN SHAPE OR SIZE

4" ROUND CENTER POWER FEED

FINISH

- R AGED BRASS
- Z ANTIQUE BRONZE
- S SATIN NICKEL

700MOPCEN _____

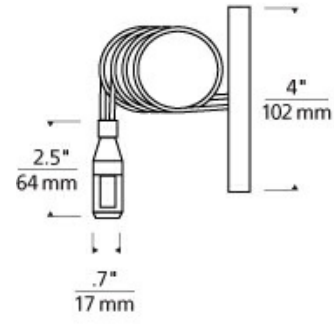
JOB NAME _____

NOTES _____



SPECIFICATIONS

PRIMARY MATERIAL	
SHADE MATERIAL	
NET WEIGHT	2 lbs
HEIGHT	2.5in
WIDTH	0.7in
LENGTH	0.7in
WET LISTED	
DAMP LISTED	
DRY LISTED	
GENERAL LISTING	ETL Listed
INCLUDES	



LAMPING SPECIFICATIONS

	LED LAMP	INTEGRATED LED	NON LED	NO LAMP
DELIVERED LUMENS				
WATTS				
MAX WATTAGE PER BULB				
INPUT VOLTAGE/ DIMMING TYPE				
CCT				
CRI				
LED LIFETIME				
L70				
AVERAGE BULB HOURS				
FIELD SERVICEABLE LED				
LAMP BASE				
LAMP SHAPE				
LAMP INCLUDED?				
WARRANTY**			1 Year	

* Dimming information available at www.techlighting.com/Downloads#dimming
 ** Visit techlighting.com for specific warranty limitations and details.

T20 / T24 / JA8 INFORMATION

	Integrated LED	Replacement LED Lamp	No Lamp *
This product can be used to comply with California Building Energy Efficiency Standards 2016 Title 24 Part 6 / JA8.			N/A
This product can be used to comply with California Appliance Efficiency Standards 2016 Title 20 and may be shipped to and sold in California.			N/A

* If a light fixture or component does not include a lamp or light source, it is the responsibility of the customer to select a lamp that meets the T24 and T20 requirements.

