

Lucarne Recessed Adjustable and Fixed Down Light

GENERATION LIGHTING

SAVE THESE INSTRUCTIONS!

GENERAL PRODUCT INFORMATION:

These fixtures are intended to be installed utilizing NEC compliant junction boxes.

This product is safety listed for damp locations.

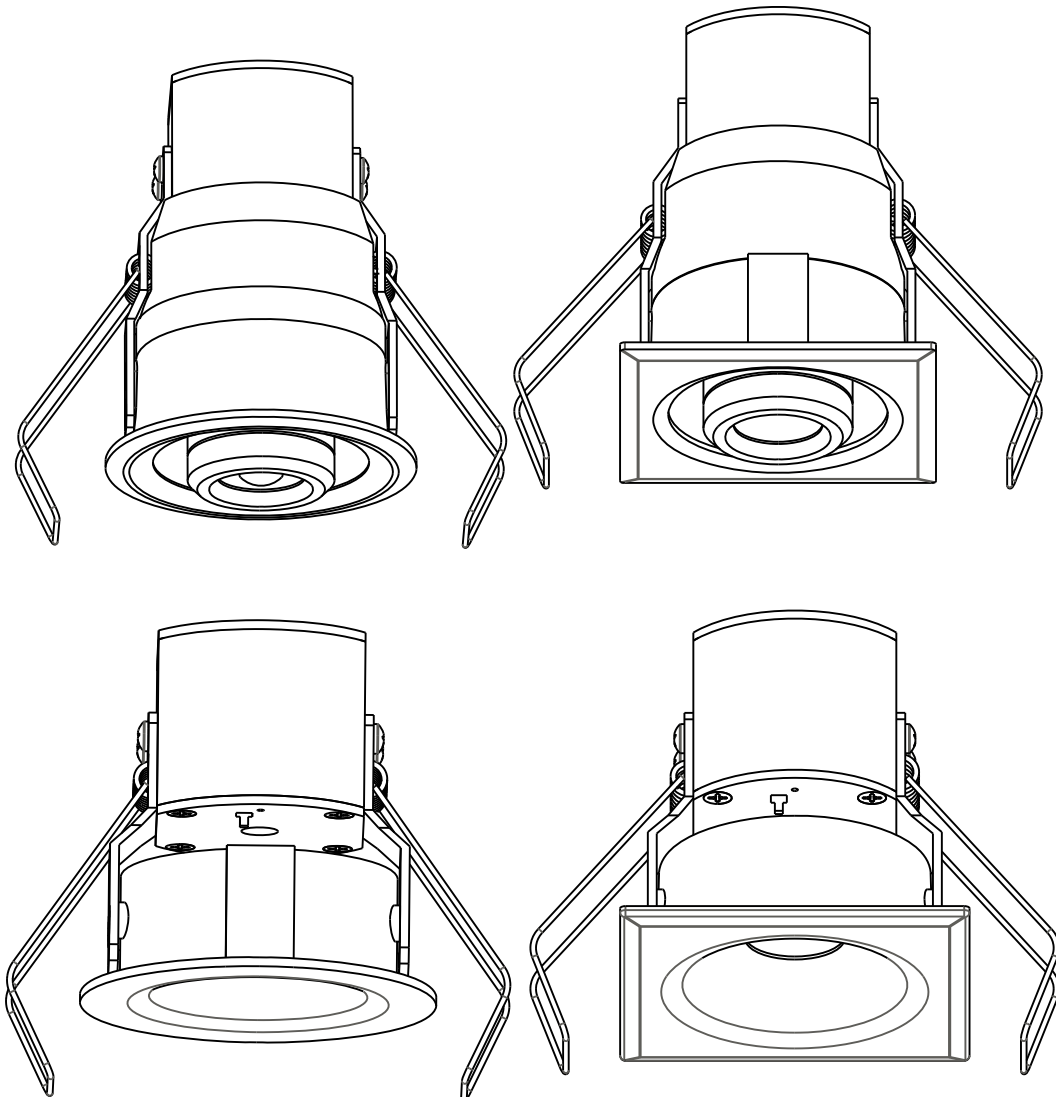
Incandescent version may be dimmed with a standard incandescent dimmer. LED version may be dimmed with a LED dimmer. Consult lamp manufacturer for additional information.

This instruction shows a typical installation.

CAUTION - RISK OF FIRE

This product must be installed in accordance with the applicable installation code by a person familiar with the construction and operation of the product and the hazards involved.

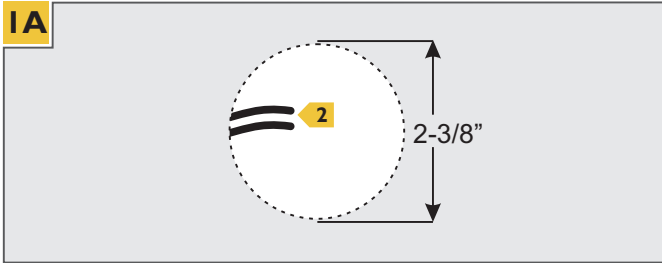
Use minimum 90°C supply conductors.



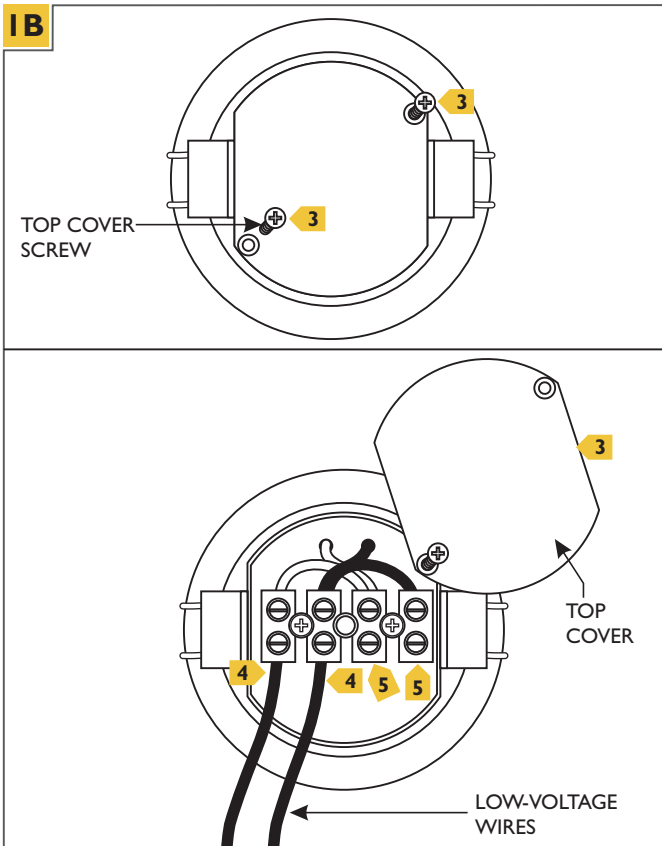
Install the Fixture

NOTE: Follow the transformer instructions to install, properly connect, and bring low-voltage wire leads to the fixture's mounting location.

NOTE: This instruction covers round and square versions. Round version was used for illustration purposes.

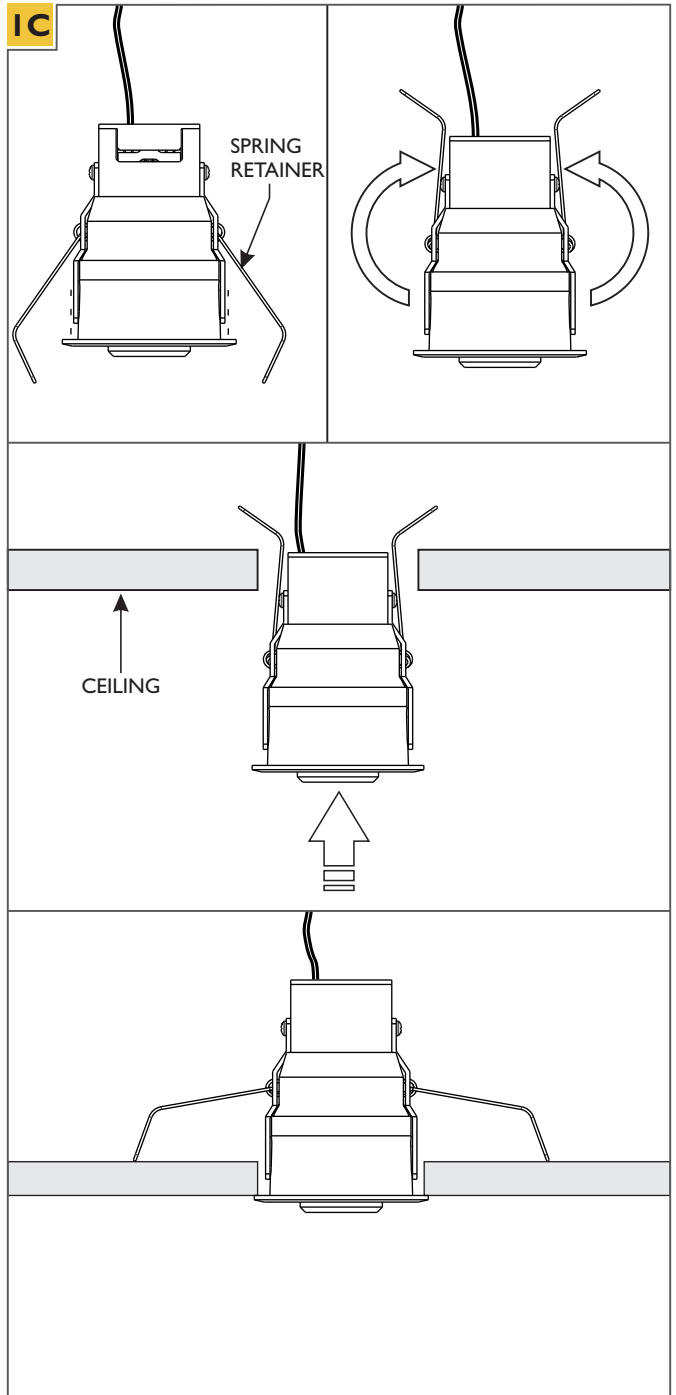


- 1** Using a 2-3/8" hole saw, cut a hole into the ceiling at the desired location(s).
- 2** Bring the low-voltage wires to the ceiling cut-out.
*For class 2 installations, use Type CL2 cable.
*For non-class 2 installations, use non-metallic sheathed cable, Type NM.



- 3** From the top of the fixture, remove one of the screws, loosen the other, and swing the top cover open.
- 4** Strip a 1/4" of insulation from each low-voltage wire and connect the low-voltage wires to adjacent terminals on either the right or left side of the terminal block.
- 5** If powering multiple fixtures, use the additional ports to connect to the next fixture.
- 6** Make sure not to pinch the wires and re install the top cover (reversal of step 3). The plastic insert serves to provide strain relief for the input wires.

NOTE: For square versions, ensure that the fixture is parallel or perpendicular to the walls, this will ensure that the fixture is oriented to the room.



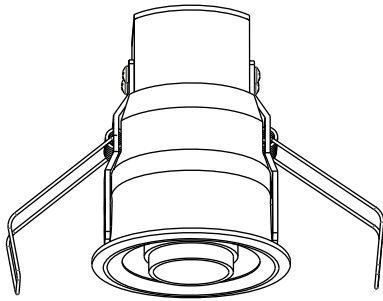
- 7** Rotate the spring retainers completely up and insert the fixture into ceiling until it is securely in place.

Replacing Optics

NOTE: The fixture is provided with a flood lens pre-assembled. If the narrow-beam lens is preferred, follow these steps to change the lens prior to installation.

2A

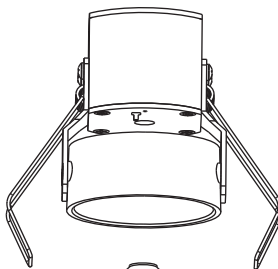
ADJUSTABLE VERSION



OPTIC →

SNOOT →

DOWNLIGHT VERSION



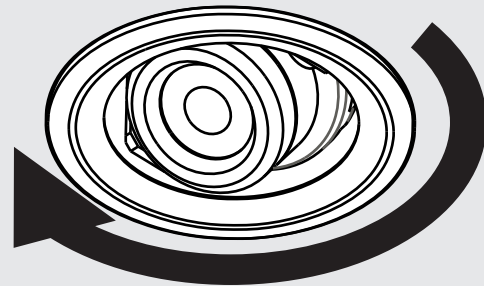
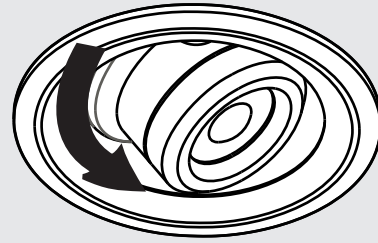
OPTIC →

SNOOT →

- 1 Unscrew and remove the snoot.
- 2 Remove the optic.
- 3 Install the replacement optic inside the snoot.
- 4 Screw the snoot back on.

Adjust the Module (adjustable version only)

3A



- 1 Tilt and rotate the LED module to the desired direction. The gimbal mechanism may be rotated up to 359°.

GENERATION LIGHTING

7400 Linder Ave., Skokie, IL 60077

T 847.410.4400 | F

847.410.4500

www.visualcomfort.com