

Power Vault Adapter

700MOPVLT_ 2.2



GENERAL PRODUCT INFORMATION:

This product is suitable for indoor dry locations only.

This product is intended for use with Tech Lighting MonoRail system only.

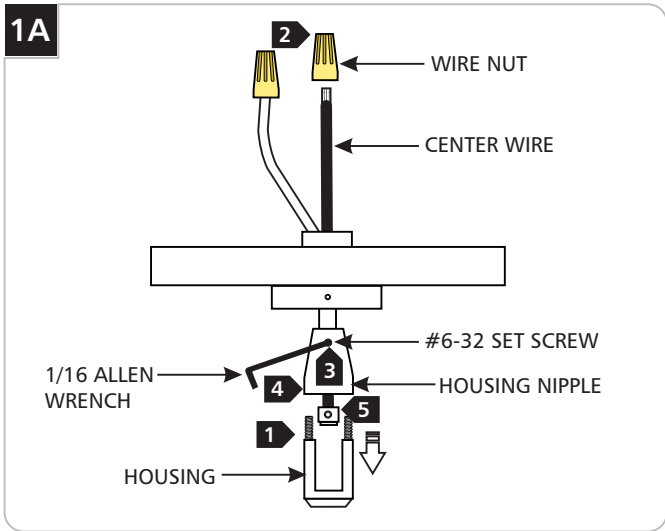


SAVE THESE INSTRUCTIONS!

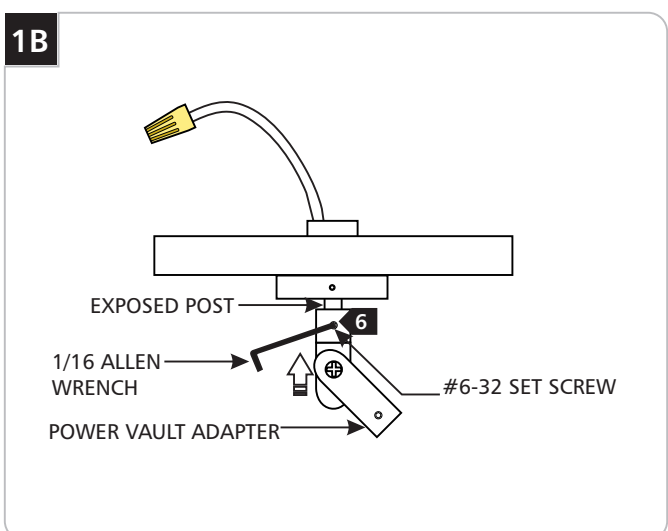
NOTE: This product must be used in concurrent with the MonoRail standoff vault adapter.

CAUTION - RISK OF FIRE
 This product must be installed in accordance with the applicable installation code by a person familiar with the construction and operation of the product and the hazards involved.
Use minimum 90°C supply conductors.

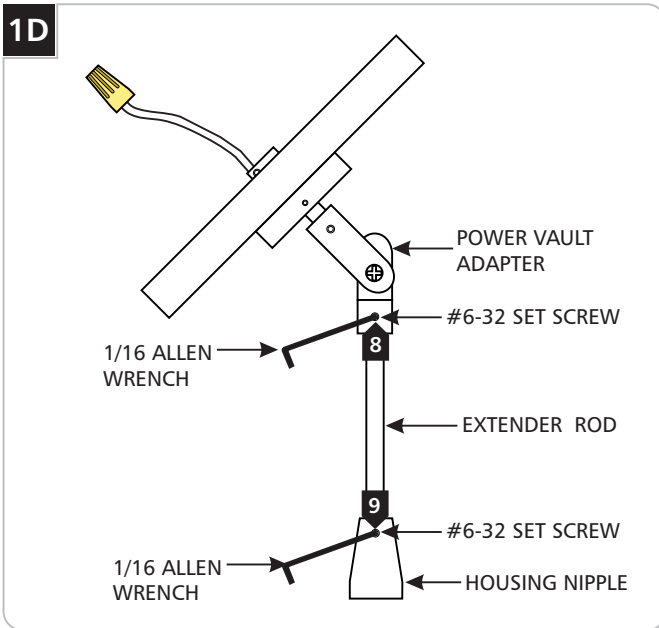
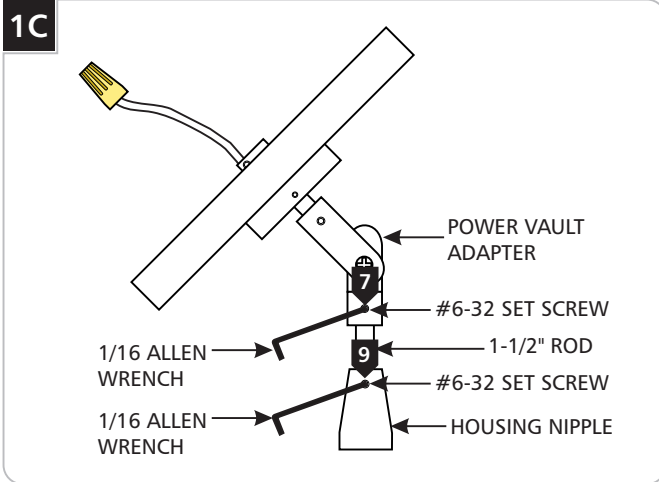
Install the Power Vault Adapter to MonoRail Power Feed Canopies & Recessed Can Transformer



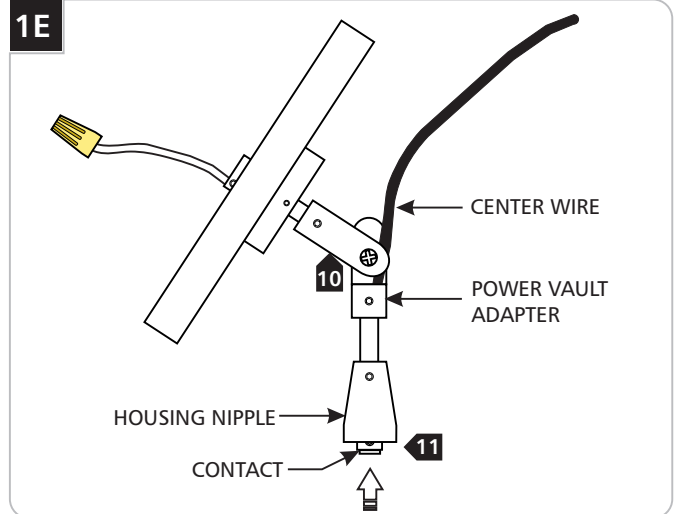
- 1 Unscrew the housing from the housing nipple.
- 2 Remove the wire nut from the center wire.
- 3 Loosen (do not remove) the #6-32 set screw on the housing nipple with the provided 1/16 Allen wrench.
- 4 Pull out the housing nipple and the center wire out of the canopy.
- 5 Pull out the center wire out of the housing nipple.



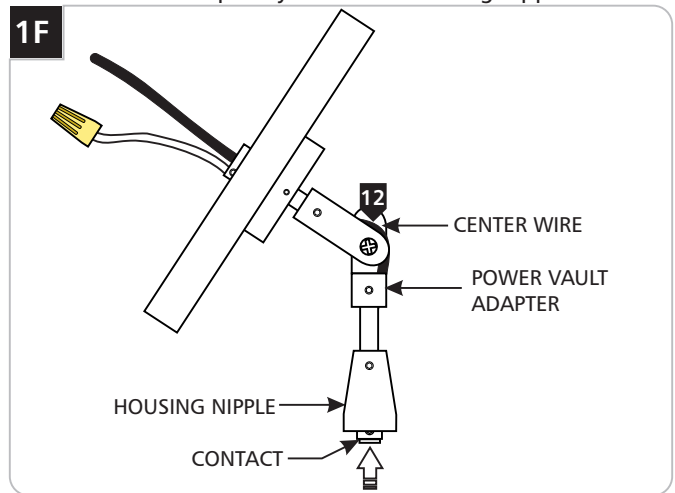
- 6 Push the power vault adapter completely onto the exposed post and tighten the #6-32 set screw with the 1/16 Allen wrench.



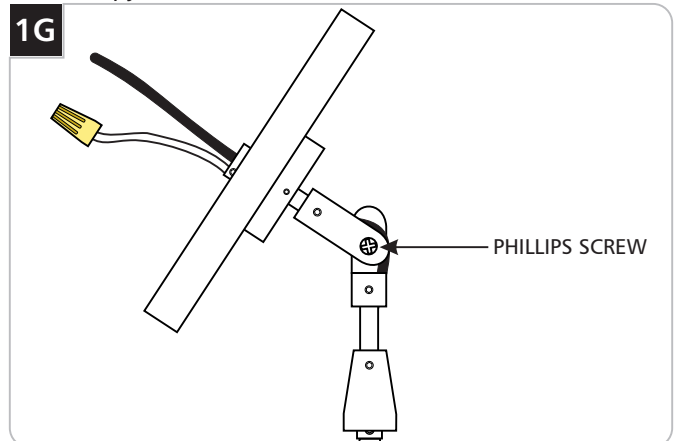
- 7** When power extender is not used in the system, push the 1-1/2" rod (provided with the power vault adapter) completely into the power vault adapter and tighten the #6-32 set screw with the 1/16 Allen wrench.
- 8** When power extender is used in the system, push the proper extender rod completely into the power vault adapter and tighten the #6-32 set screw with the 1/16 Allen wrench.
- 9** Push the housing nipple completely onto the 1-1/2" rod or the extender rod and tighten the #6-32 set screw with the 1/16 Allen wrench.



- 10** Rotate the power vault adapter to ease feeding the center wire.
- 11** Feed the new center wire from the housing nipple and through the 1-1/2" rod or extension rod into one portion of the power vault adapter. Make sure that the contact is completely inside the housing nipple.

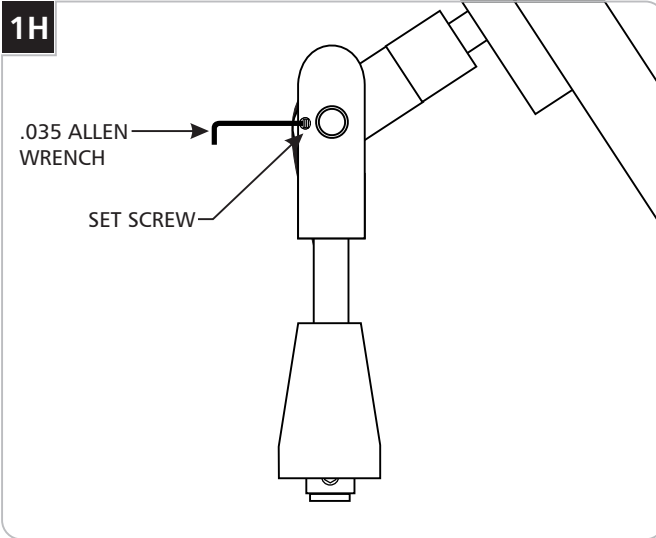


- 12** Loop the center wire and feed it completely through the second portion of the power vault adapter into the canopy.

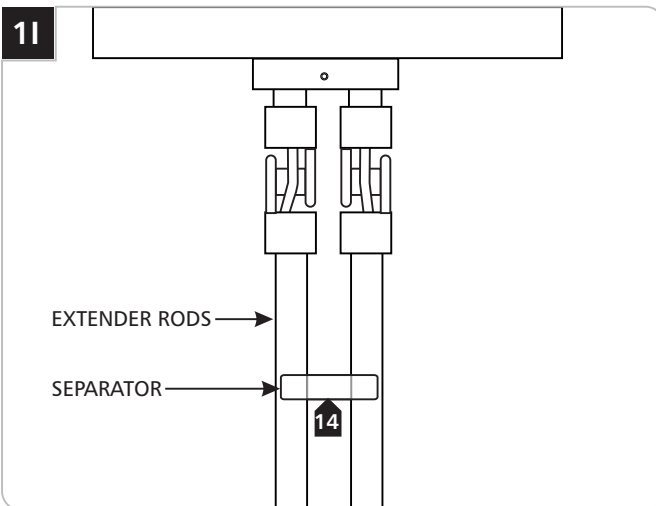


- 13** Ensure that the adapter is level and tighten the Phillips head screw.

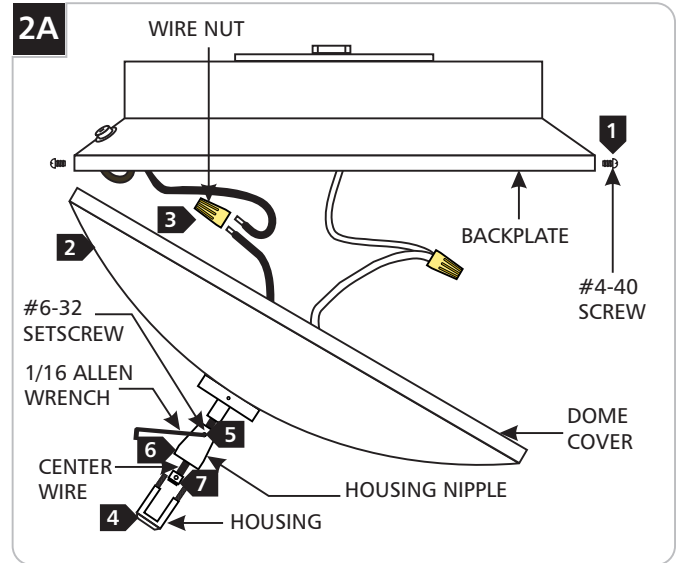
Install the Power Vault Adapter to MonoRail Surface Transformers



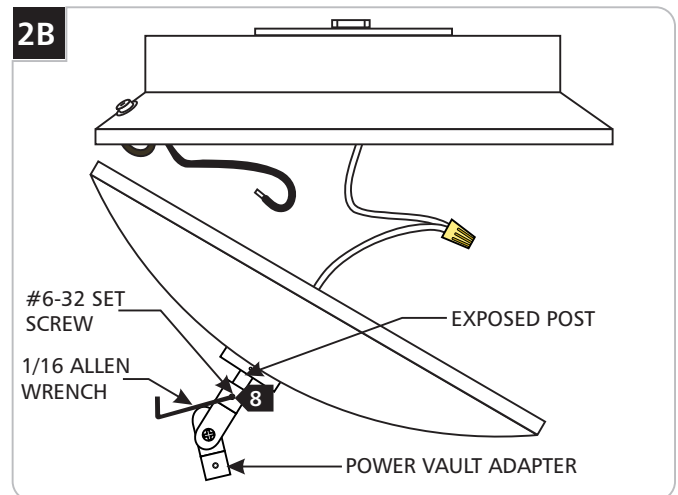
- 14** Tighten the set screw on the opposite side of the screw head with the provided .035 Allen wrench to ensure the position of the adapter.
- 15** For the power feed canopies with dual posts repeat steps 1 through 14 for the other post.



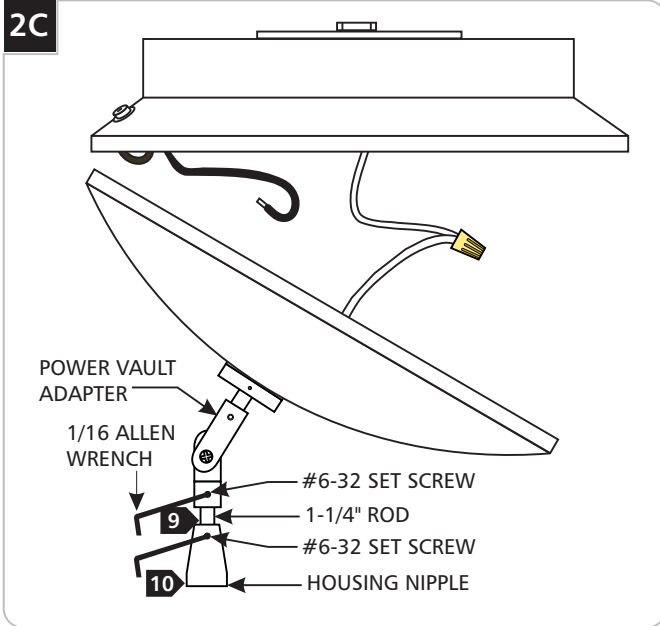
- 16** For the power feed canopies with dual posts, snap the extender rods together with the separators provided in the power extender package.
- 17** Refer to the instruction provided with the power feed canopy to complete the installation.



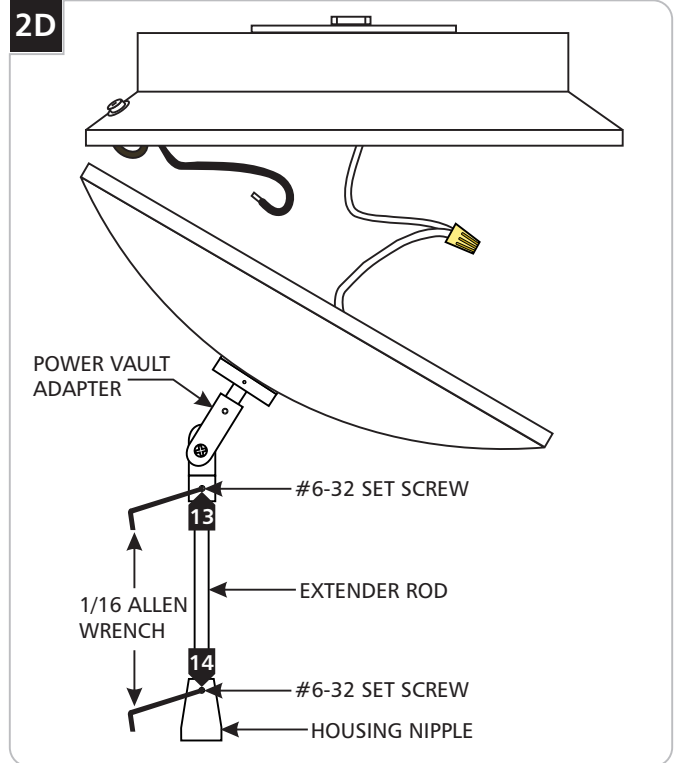
- 1** Remove the #4-40 screws with a Phillips screwdriver on the side of the transformer cover.
- 2** Lift the dome cover off of the transformer housing.
- 3** Disconnect the center wire from the circuit breaker wire by removing the wire nut.
- 4** Unscrew the housing from the housing nipple.
- 5** Loosen (do not remove) the #6-32 set screw on the housing nipple with the 1/16 Allen wrench.
- 6** Pull out the housing nipple and the center wire out of the canopy.
- 7** Pull out the center wire out of the housing nipple.



- 8** Push the power vault adapter completely onto the exposed post and tighten the #6-32 set screw with the 1/16 Allen wrench.



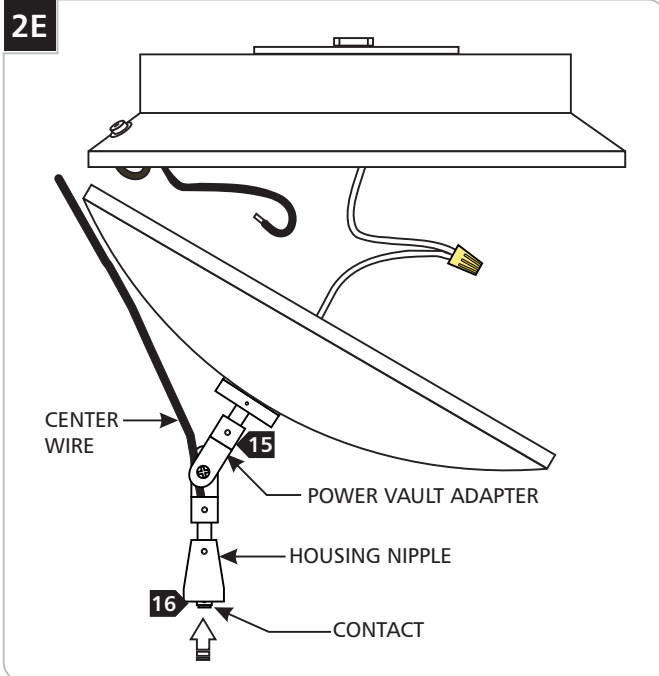
- 9** When power extender is not used in the system, push the 1-1/4" rod (provided with the power vault adapter) completely into the power vault adapter and tighten the #6-32 set screw with the 1/16 Allen wrench.
- 10** Push the housing nipple completely onto the 1-1/2" rod or the extender rod and tighten the #6-32 set screw with the 1/16 Allen wrench.



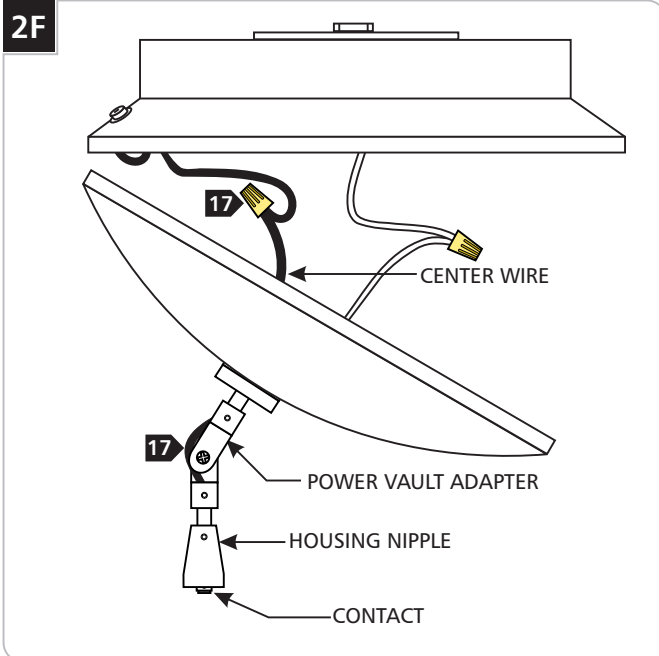
NOTE: The power extenders are precut for MonoRail power feed canopies. Power extenders must be cut to size when used with the surface mount transformers. Refer to the table below for the measurements.

- 11** When power extender is used in the system, cut the extender rod to the proper length with a hack saw (use the table below).
- 12** Clean the burrs in the cut section.
- 13** Push the extender rod completely into the power vault adapter and tighten the #6-32 set screw with the 1/16 Allen wrench.
- 14** Push the housing nipple completely onto the extender rod and tighten the #6-32 set screw with the 1/16 Allen wrench.

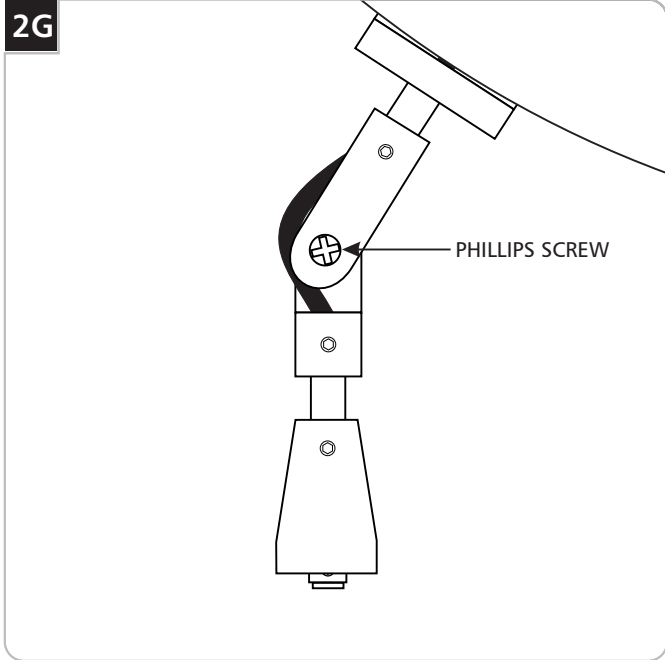
Surface Mount Transformer	Extender Rod Length for 3" Overall (A)	Extender Rod Length for 6" Overall (A)	Extender Rod Length for 12" Overall (A)	Extender Rod Length for 24" Overall (A)	Extender Rod Length for 36" Overall (A)	Extender Rod Length for 48" Overall (A)	Extender Rod Length for 96" Overall (A)
SRT 150	N/A	2-3/8"	8-3/8"	20-3/8"	32-3/8"	44-3/8"	92-3/8"
SRT 300	N/A	1-1/4"	7-1/4"	19-1/4"	31-1/4"	43-1/4"	91-1/4"
SRT 600	N/A	N/A	6-1/4"	18-1/4"	30-1/4"	42-1/4"	90-1/4"



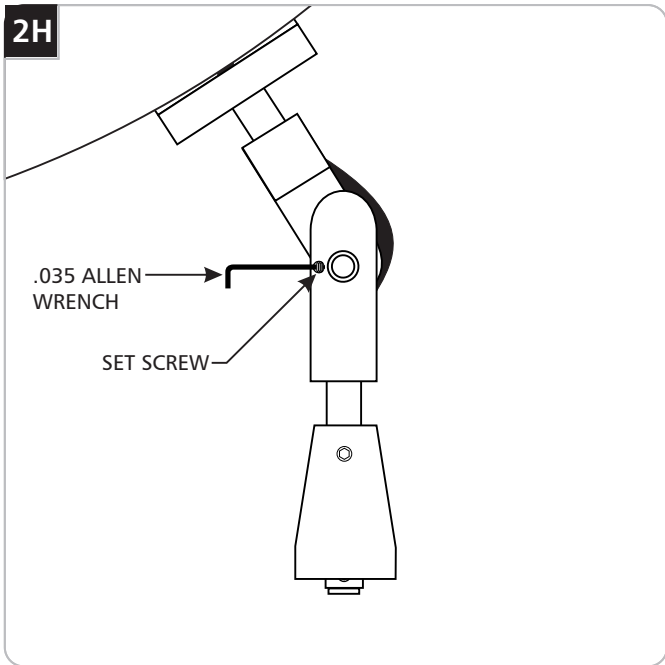
- 15** Rotate the power vault adapter to ease feeding the center wire.
- 16** Feed the new center wire from the housing nipple and through the 1-1/2" rod or extension rod into one portion of the power vault adapter. Make sure that the contact is completely inside the housing nipple.



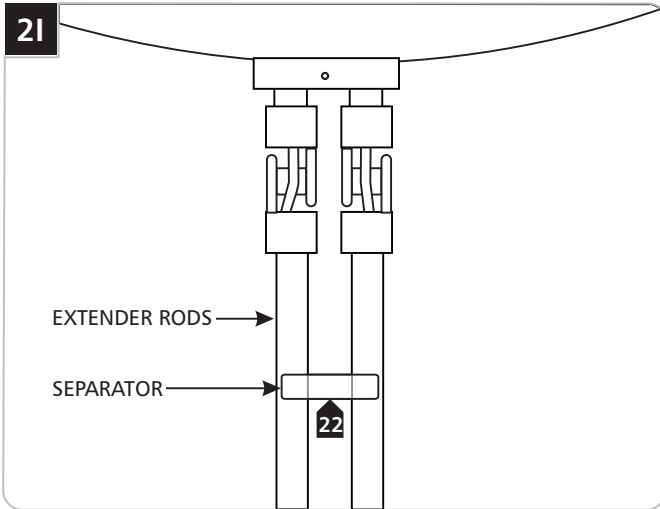
- 17** Loop the center wire and feed it completely through the second portion of the power vault adapter into the dome cover and reconnect the wire with the wire nut.
- 18** For the surface mount transformers with dual posts repeat steps 1 through 17 for the other post.



- 19** Ensure that the adapter is level and tighten the Phillips head screw.



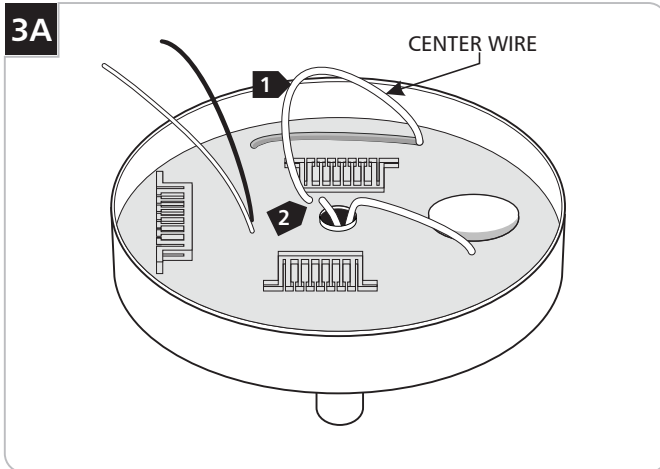
- 20** Tighten the set screw on the opposite side of the screw head with the provided .035 Allen wrench to ensure the position of the adapter.
- 21** For the surface mount transformers with dual posts repeat steps 1 through 19 for the other post.



22 For the surface mount transformers with dual posts, snap the extender rods together with the separators provided in the power extender package.

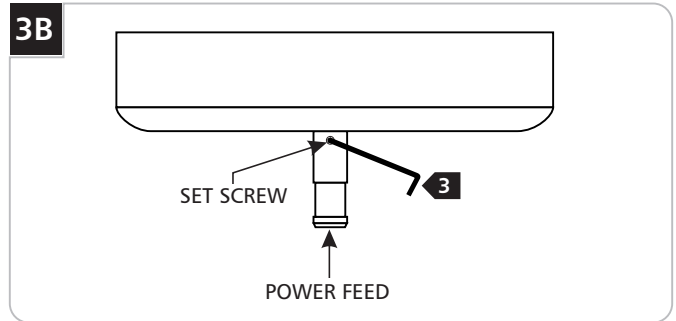
23 Refer to the instruction provided with the surface mount transformer to complete the installation.

Install the Power Vault Adaptor to Mini Surface Transformers

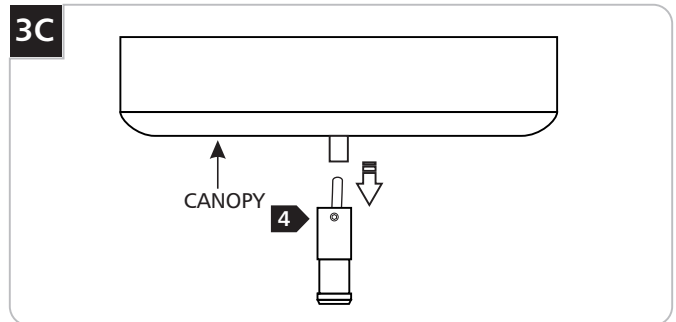


1 Pull up the wire that leads through the center of the power feed. If the wire is embedded in the potting it is okay to pull the wire out of the potting material.

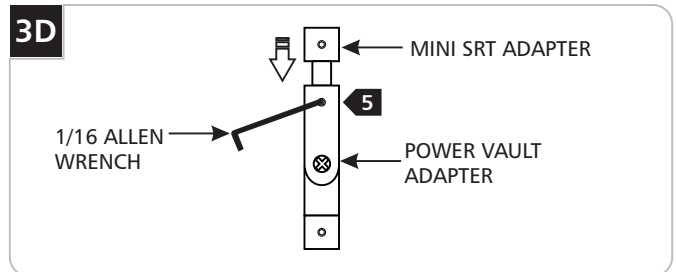
2 Cut the center wire as close to the power feed as possible.



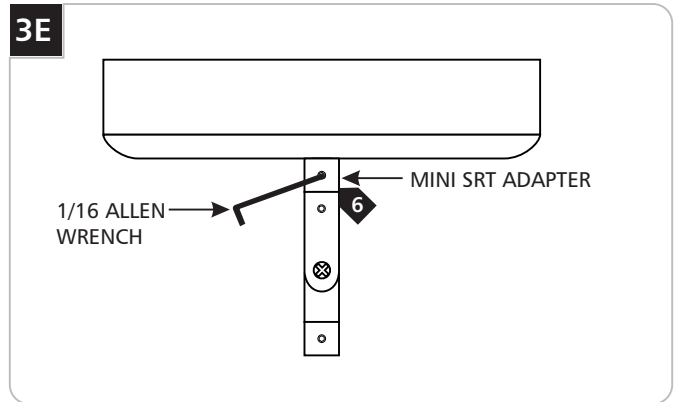
3 Loosen the set screw on the power feed.



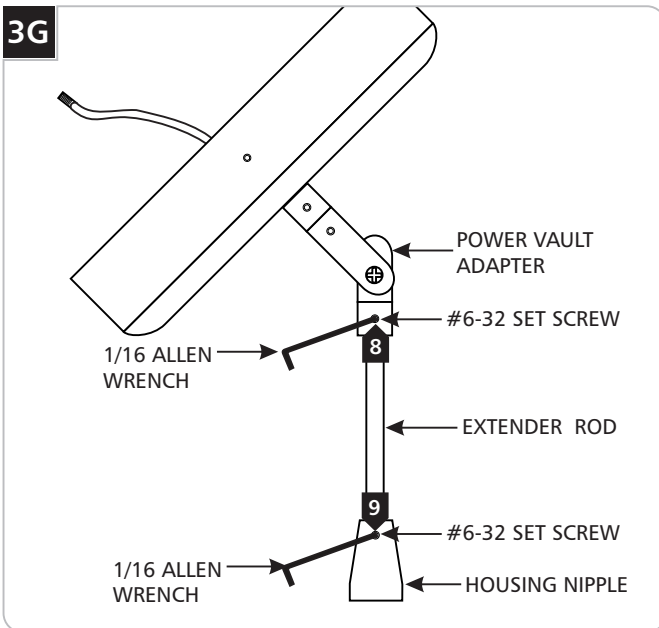
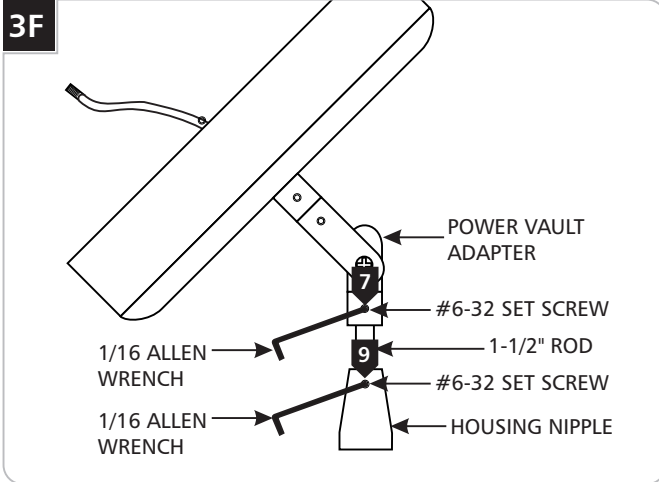
4 pull the power feed and wire from the canopy.



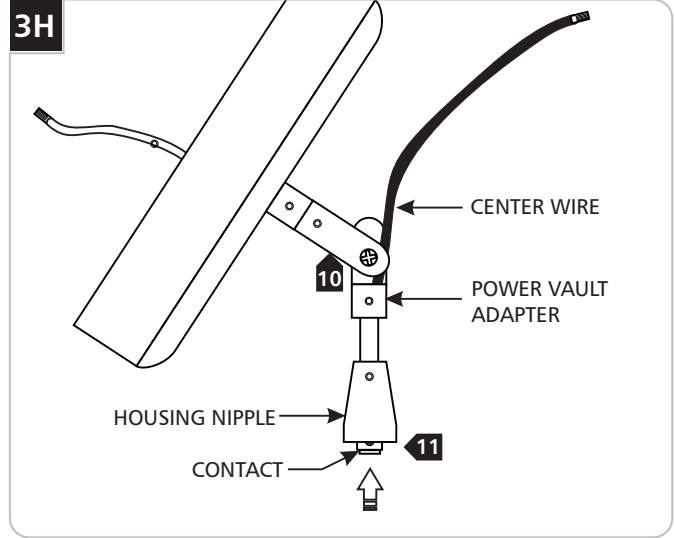
5 Install the Mini SRT adapter onto one end of the power vault adapter and tighten the #6-32 set screw with the 1/16 Allen wrench.



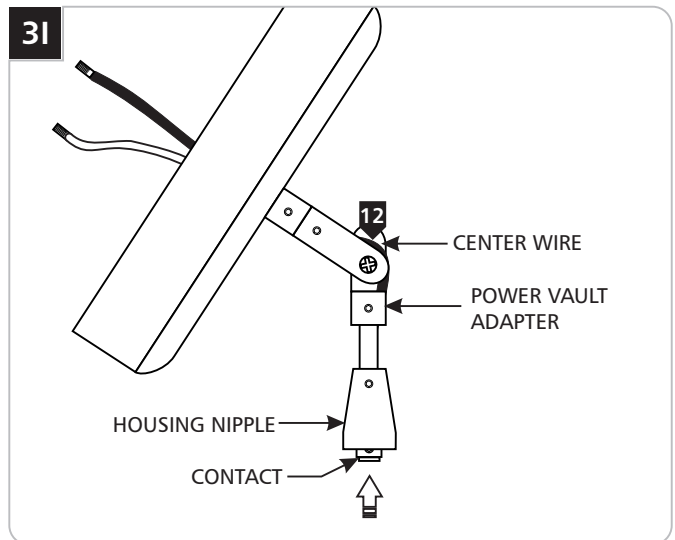
6 Install the Mini SRT adapter side of the power vault adapter assembly onto the canopy and tighten the #6-32 set screw with the 1/16 Allen wrench.



- 7** When power extender is not used in the system, push the 1-1/2" rod (provided with the power vault adapter) completely into the power vault adapter and tighten the #6-32 set screw with the 1/16 Allen wrench.
- 8** When power extender is used in the system, push the proper extender rod completely into the power vault adapter and tighten the #6-32 set screw with the 1/16 Allen wrench.
- 9** Push the housing nipple completely onto the 1-1/2" rod or the extender rod and tighten the #6-32 set screw with the 1/16 Allen wrench.

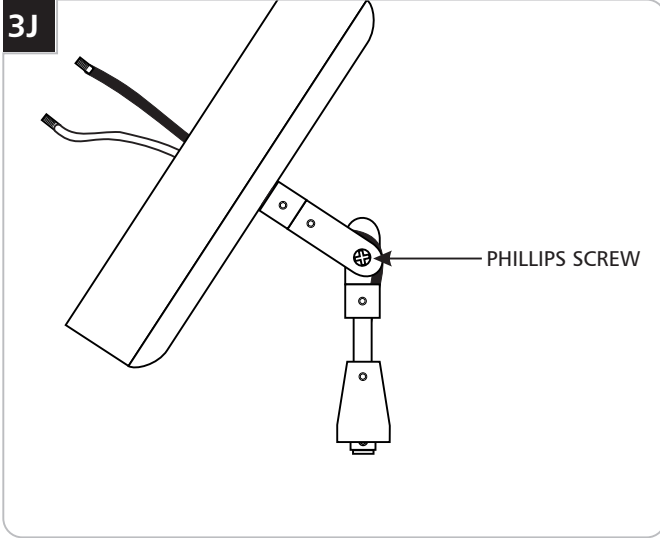


- 10** Rotate the power vault adapter to ease feeding the center wire.
- 11** Feed the new center wire from the housing nipple and through the 1-1/2" rod or extension rod into one portion of the power vault adapter. Make sure that the contact is completely inside the housing nipple.

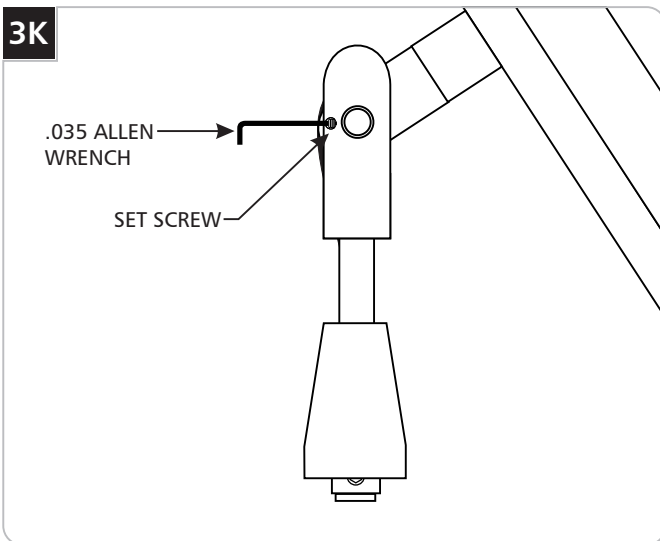


- 12** Loop the center wire and feed it completely through the second portion of the power vault adapter into the canopy.

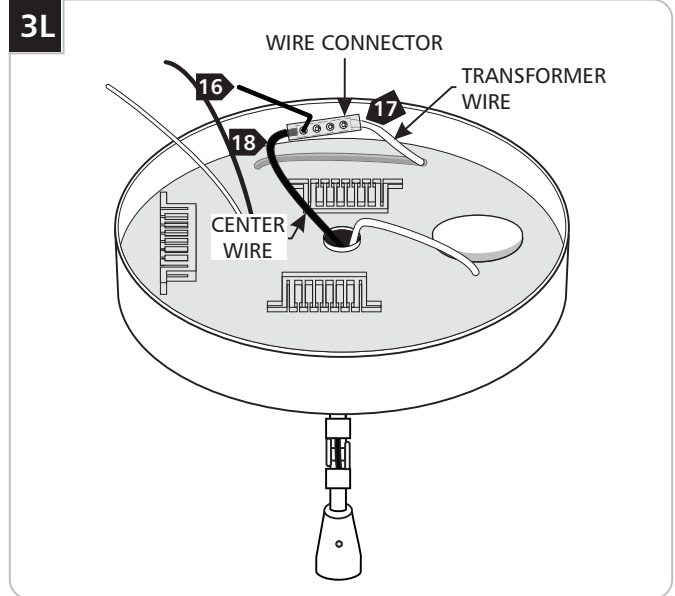
Shortest Compatible Rigid Standoff	Extender Rod Length for 3" Overall (A)	Extender Rod Length for 6" Overall (A)	Extender Rod Length for 12" Overall (A)	Extender Rod Length for 24" Overall (A)	Extender Rod Length for 36" Overall (A)	Extender Rod Length for 48" Overall (A)	Extender Rod Length for 96" Overall (A)
2"	1-7/8"	4-1/4"	10-1/4"	22-1/4"	34-1/4"	46-1/4"	94-1/4"



13 Ensure that the adapter is level and tighten the Phillips head screw.



14 Tighten the set screw on the opposite side of the screw head with the provided .035 Allen wrench to ensure the position of the adapter.



- 15** Strip the end of the transformer wire.
- 16** Loosen (**Do Not Remove**) the four set screws in the wire connector.
- 17** Push the transformer wire half way into the wire connector and tighten down the two set screws on that side.
- 18** Push the center wire into the other half and tighten down the remaining two set screws.
- 19** Follow the instructions provided with the mini surface transformer to complete the installation.

TECH LIGHTING

7400 Linder Ave., Skokie, IL 60077
 T 847.410.4400 | F 847.410.4500
www.techlighting.com