



GENERAL PRODUCT INFORMATION:



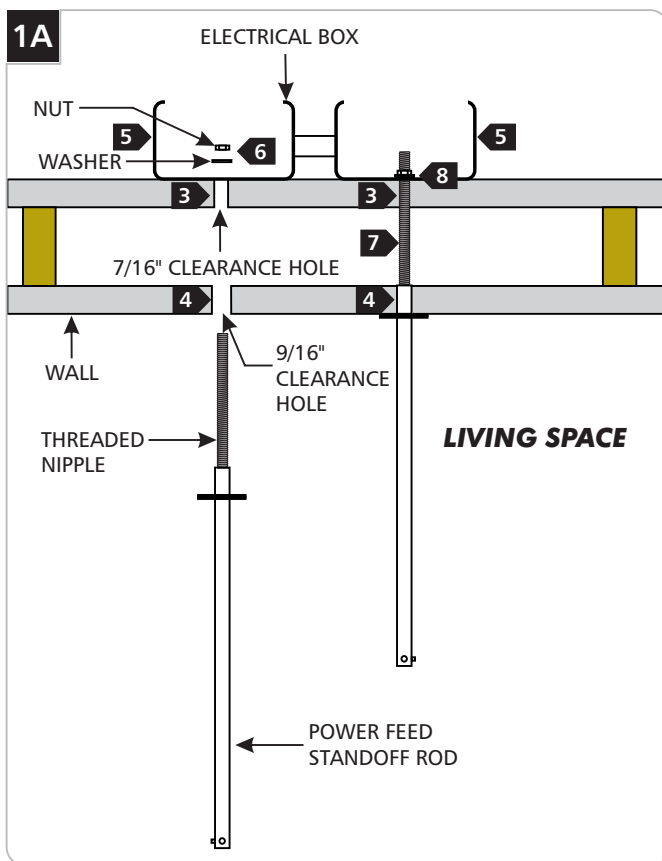
This product is suitable for indoor dry locations only.

This product can be mounted onto the wall or ceiling.

This instructions shows a typical wall installation.



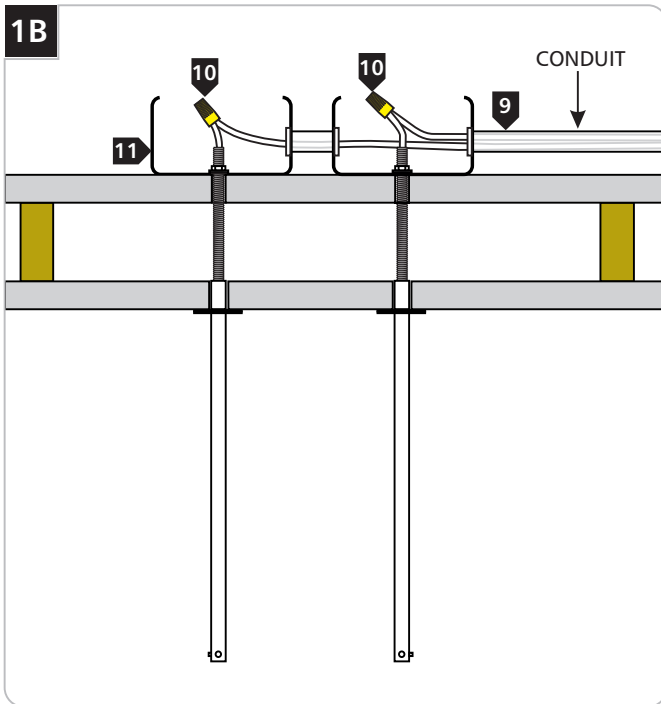
Install the Power Feed Standoff



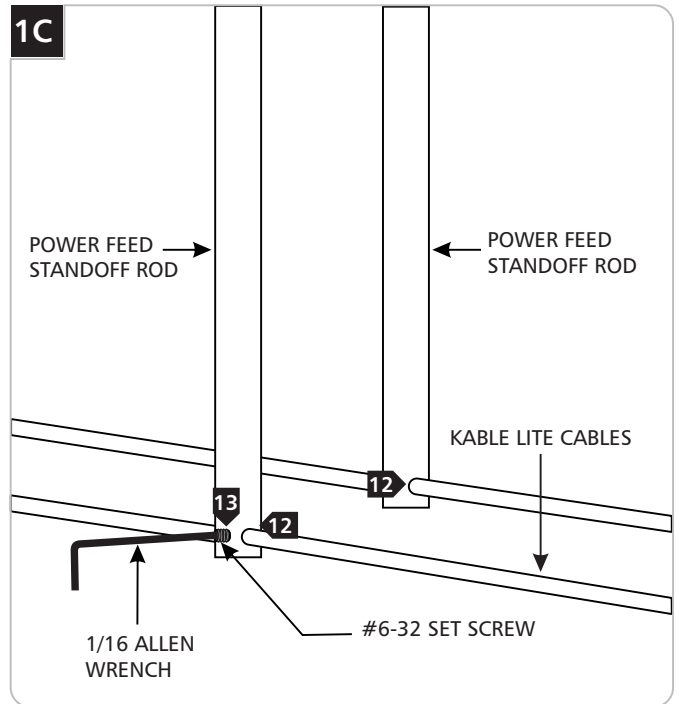
- 1** Determine the Kable Lite cable separation.
- 2** Mark two points on the ceiling or wall for the Kable Lite cable separation distance.
- 3** Drill the marked holes through (both side of the wall) with a 7/16" bit.
- 4** Open the living space hole with a 9/16" drill bit for the plastic bushing to fit.
- 5** For each power feed standoff, install an electrical box on the back side of the wall or ceiling. Make sure that the center of the electrical boxes have a 7/16" clearance hole for the power feed nipple to pass through.
- 6** Remove the nut and the washer from the threaded nipple (for ceiling application replace the 6" threaded nipples with the provided 3/4" ones).
- 7** Feed the threaded nipple of the power feed standoffs from the living space through the clearance holes into the electrical box.
- 8** Secure the power feed standoffs in the electrical boxes with the washers and nuts.

NOTE: The Kable Lite power feed standoff must be used on the wall or ceiling that is accessible from the other side, such as drop ceiling or wall between two rooms.

NOTE: Minimum Kable Lite cable separation must be 3.5".



- 9** Connect a conduit from the remote transformer to the electrical box (refer to the instructions provide with the remote transformer).
- 10** Connect the low voltage remote transformer wires to the power feed standoff wires with wire nuts.
- 11** Place all wires and wire nut connections inside the electrical boxes.



- 12** Feed the Kable lite cables through the power feed standoff rod holes.
- 13** Tighten the #6-32 set screw on the power feed standoff rod with the 1/16 Allen wrench after the Kable Lite cables are taut.

SAVE THESE INSTRUCTIONS!



TECH LIGHTING®

7400 Linder Ave, Skokie, IL 60077
847.410.4400

www.techlighting.com

© 2008 Tech Lighting, L.L.C. All rights reserved. The "Tech Lighting" graphic is a registered trademark of Tech Lighting, L.L.C. Tech Lighting reserves the right to change specifications for product improvements without notification.
A Generation Brands Company